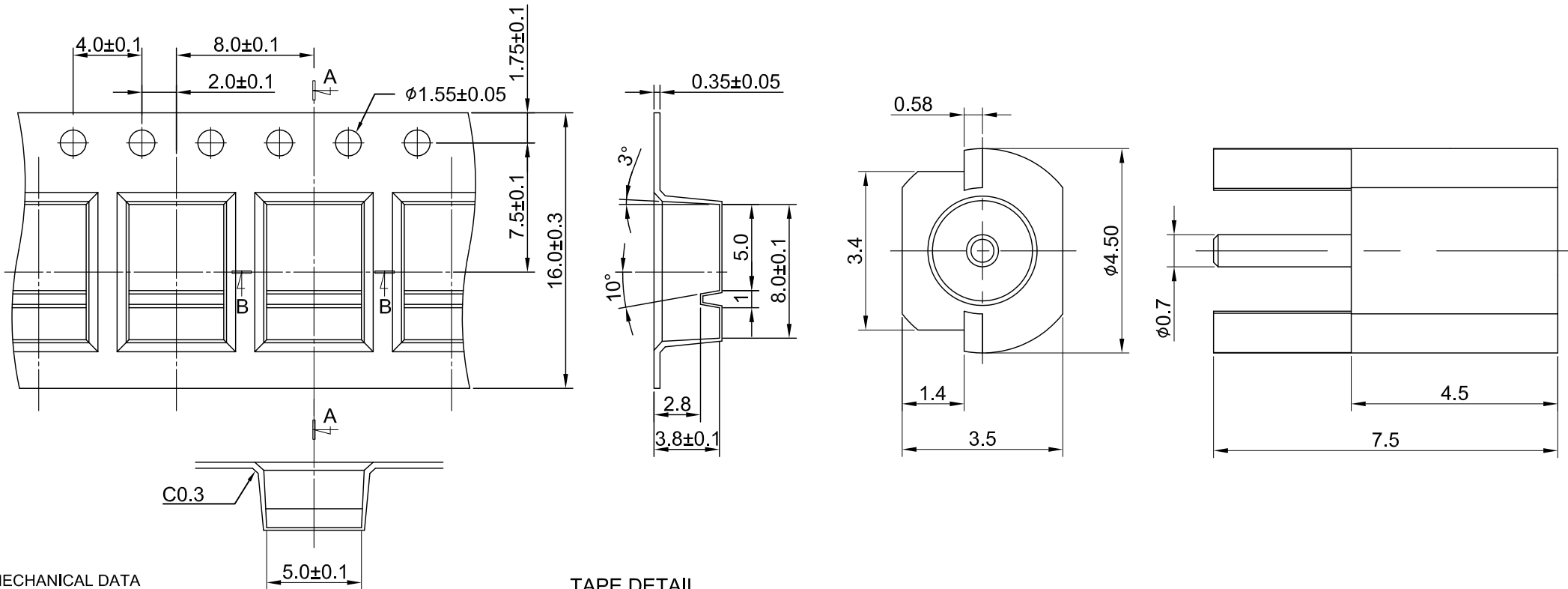


REV	DESCRIPTION	DATE
1.01	ADD NOTE 2)	2013/01/18
1.10	NEW DRAWING FRAME	2024/09/13



MECHANICAL DATA
 DURABILITY : 500 CYCLES
 TEMPERATURE RANGE : -65°C ~ + 165°C

ELECTRICAL DATA
 FREQUENCY RANGE: DC~6GHz
 IMPEDANCE : 50Ω
 VSWR : 1.3 MAX.
 WORKING VOLTAGE : AC 170V
 WITHSTANDING VOLTAGE : AC 500V
 INSULATION RESISTANCE : 1000 MΩ MIN

NOTE
 1. 2000PCS/ TAPE REEL
 2. TAPE/REEL: SURFACE WITH DIA. 4.5(TOP) FACES OUTSIDE AND SURFACE WITH DIA. 3.4(BOTTOM) FACES INSIDE.
 (捲袋包裝，寬度4.5(正面)朝透明封膜(外))

TAPE DETAIL

03	CENTER PIN	Be.Cu	GOLD	1
02	INSULATOR	TEFLON	NONE	1
01	BODY	BRASS	GOLD	1
NO	DESCRIPTION	MATERIAL	FINISH	Q'TY

TITLE		Wellshow	
MMCX(F)st.edge mount type, tape reel		DRAWN BY: Kelly 2024/09/13	
DWG NO. C06AJ3KP00409A		CHK'D BY: Mindy 2024/09/13	
CUST. P/N: N/A DWG NO: N/A		REV. 1.10	
SHEET 1 of 1 Unit: mm		DA2409130001	

GENERAL TOLERANCES	
.X	±0.2
.XX	±0.2
.XXX	±0.2
ANGLES	N/A