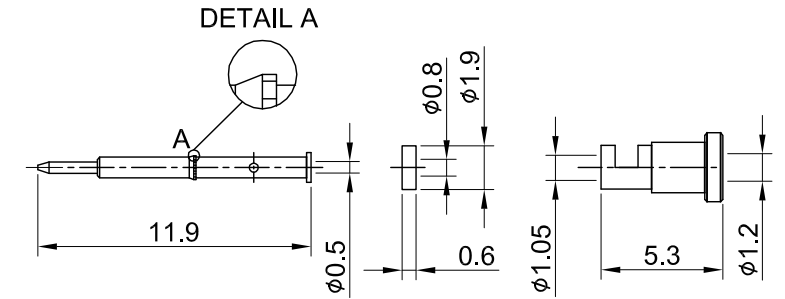
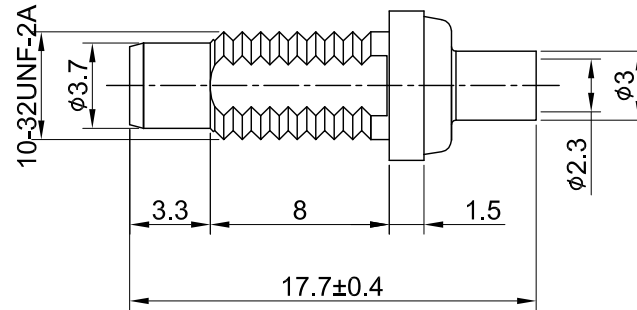
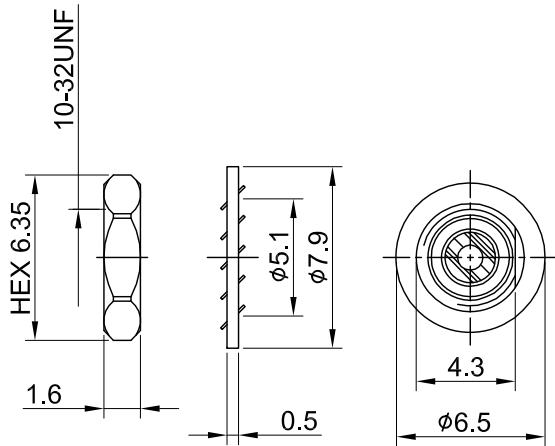
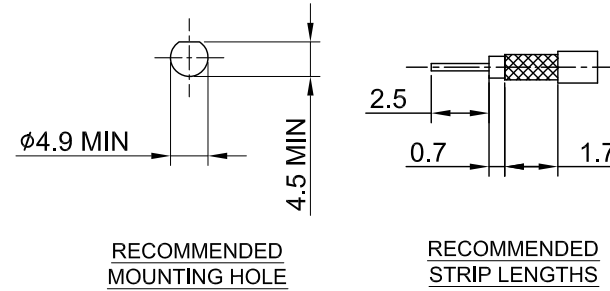


REV	DESCRIPTION	DATE
1.10	CHG FERRULE DESIGN, 1.7/φ1.05 W. 2.6/φ1.1	2020/12/17
1.20	NEW DRAWING FRAME	2023/11/06



MECHANICAL DATA  
TEMPERATURE RANGE : -65°C ~ + 165°C

ELECTRICAL DATA  
FREQUENCY RANGE: DC~6GHz  
IMPEDANCE : 50Ω  
VSWR : 1.5 MAX.  
WORKING VOLTAGE : AC 335V  
WITHSTANDING VOLTAGE : AC 750V  
INSULATION RESISTANCE : 1000 MΩ MIN

08	NUT	BRASS	GOLD	1	TITLE SMC(F) st. bh. crimp type for 1.13/1.13LL cable		
07	WASHER	BRASS	GOLD	1			
06	FERRULE	BRASS	GOLD	1	DWG NO. C14AB3F113006E		
05	INSULATOR GASKET	TEFLON	NONE	1			
04	CENTER PIN	BRASS	GOLD	1	CUST. P/N: N/A DWG NO: N/A		
03	BODY B	BRASS	GOLD	1			
02	INSULATOR	TEFLON	NONE	1	GENERAL TOLERANCES .X ±0.2 .XX ±0.2 .XXX ±0.2 ANGLES N/A		
01	BODY A	BRASS	GOLD	1			
NO	DESCRIPTION	MATERIAL	FINISH	Q'TY	SHEET 1 of 1	Unit: mm	DRAWN BY: Kelly 2020/12/17 CHK'D BY: Eileen 2020/12/17 REV. 1.20 DA2311060009

