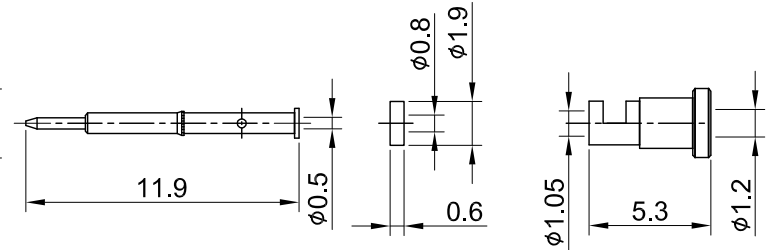
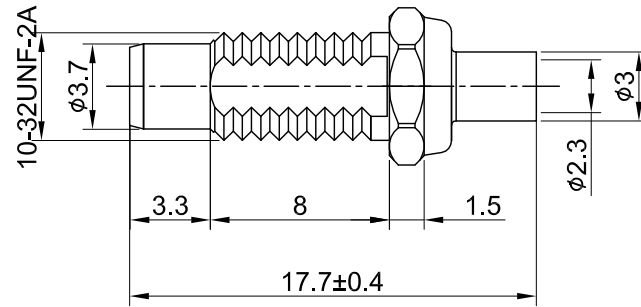
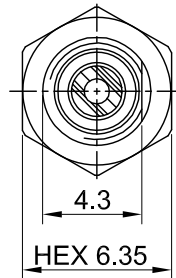
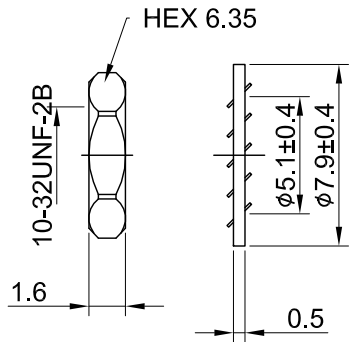
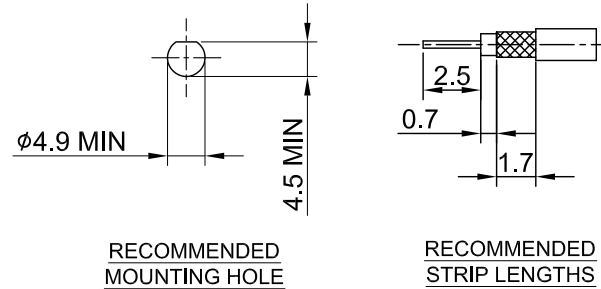


REV	DESCRIPTION	DATE
2.00	CHG FERRULE DESIGN, 1.7/φ1.05 W. 2.5/φ1.1	2021/03/11
2.10	NEW DRAWING FRAME	2024/03/05



MECHANICAL DATA
TEMPERATURE RANGE : -65°C ~ + 165°C

ELECTRICAL DATA
FREQUENCY RANGE: DC~6GHZ
IMPEDANCE : 50Ω
VSWR : 1.5 MAX.
WORKING VOLTAGE : AC 335V
WITHSTANDING VOLTAGE : AC 750V
INSULATION RESISTANCE : 1000 MΩ MIN

08	NUT	BRASS	GOLD	1	TITLE SMC(F) st. bh. crimp type for 1.13/1.13LL cable Hex panel	
07	WASHER	BRASS	GOLD	1		
06	FERRULE	BRASS	GOLD	1	DWG NO. C14AB3F113006E-1	
05	INSULATOR GASKET	TEFLON	NONE	1		
04	PIN	BRASS	GOLD	1	CUST. P/N: N/A DWG NO: N/A	
03	BODY B	BRASS	GOLD	1		
02	INSULATOR	TEFLON	NONE	1	GENERAL TOLERANCES .X ±0.2 .XX ±0.2 .XXX ±0.2 ANGLES N/A	
01	BODY A	BRASS	GOLD	1		
NO	DESCRIPTION	MATERIAL	FINISH	Q'TY	SHEET 1 of 1	Unit: mm
					DRAWN BY: Kelly 2024/03/05	
					CHK'D BY: Dora 2024/03/05	
						
						
					DA2401100013	
					REV. 2.10	