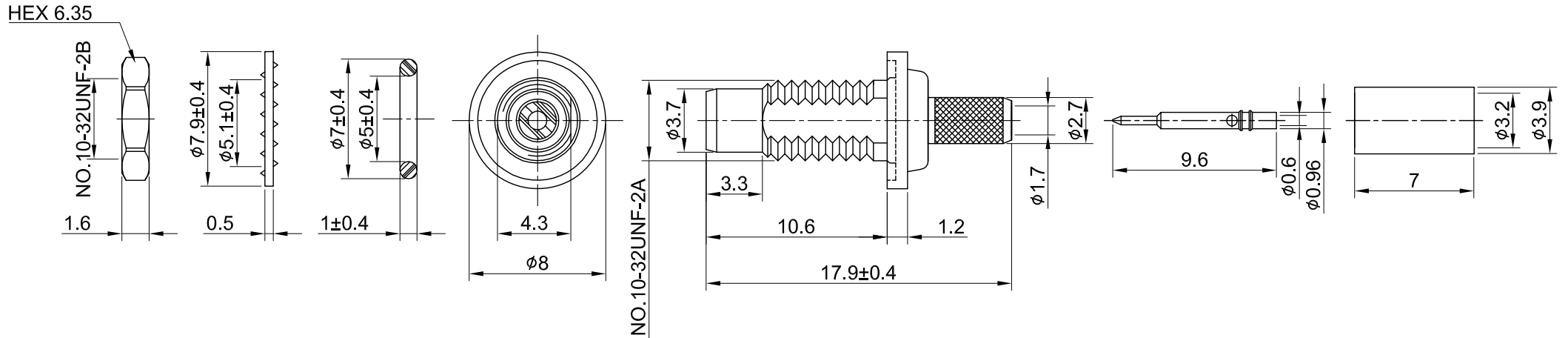
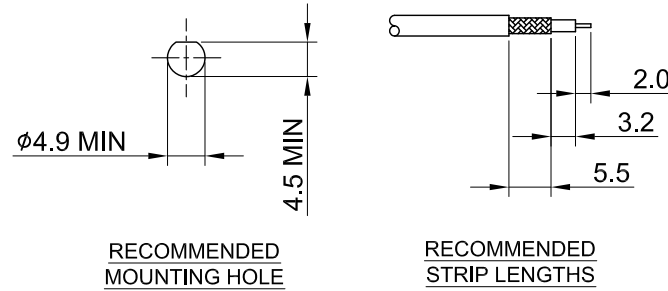



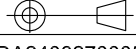
REV	DESCRIPTION	DATE
1.00	INITIAL DESIGN	2013/12/24
1.10	NEW DRAWING FRAME	2024/08/27



MECHANICAL DATA  
TEMPERATURE RANGE : -65°C ~ + 165°C

ELECTRICAL DATA  
FREQUENCY RANGE: DC~4GHz  
IMPEDANCE : 50Ω  
VSWR : 1.5 MAX.  
WORKING VOLTAGE : AC 335V  
WITHSTANDING VOLTAGE : AC 750V  
INSULATION RESISTANCE : 1000 MΩ MIN

09	NUT	BRASS	GOLD	1
08	WASHER	BRASS	GOLD	1
07	O RING	SILICONE RUBBER	BLACK	1
06	FERRULE	BRASS	GOLD	1
05	CENTER PIN	BRASS	GOLD	1
04	BODY B	BRASS	GOLD	1
03	INSULATOR B	TEFLON	NONE	1
02	INSULATOR A	TEFLON	NONE	1
01	BODY A	BRASS	GOLD	1
NO	DESCRIPTION	MATERIAL	FINISH	Q'TY

TITLE		SMC(F) bh. wOring for RG174	
DWG NO.		C14AD3F174023	
CUST. P/N: N/A		DRAWN BY: Kelly 2024/08/27	
DWG NO: N/A		CHK'D BY: Chili 2024/08/27	
SHEET 1 of 1		Unit: mm	
GENERAL TOLERANCES			
.X ±0.2			
.XX ±0.2		DA2408270005	
.XXX ±0.2		REV. 1.10	
ANGLES N/A			