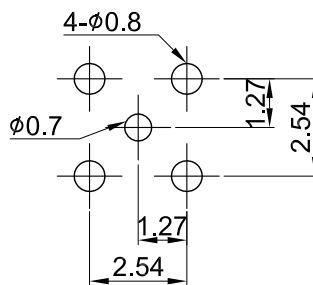
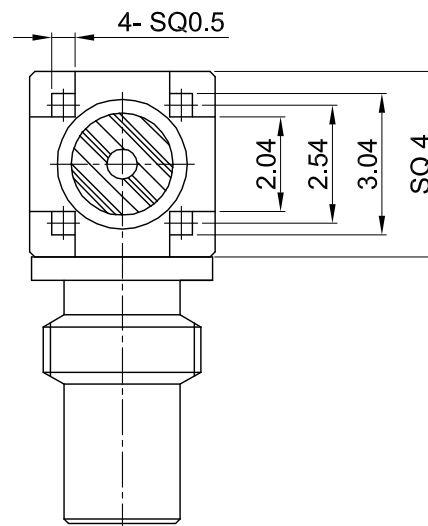
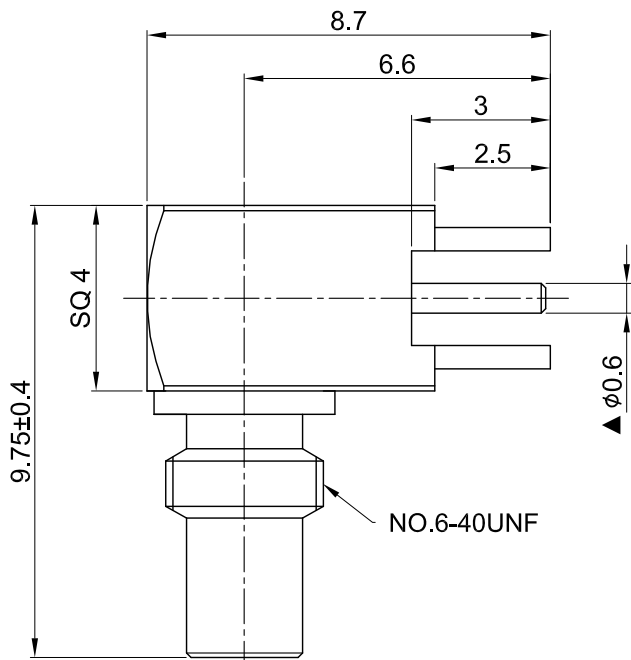


REV	DESCRIPTION	DATE
1.00	INITIAL DESIGN	2024/01/10
1.10	UPDATE RECOMMENDED PCB LAYOUT CHG $\phi 0.6$ W. $\phi 0.65$	2024/01/16



▲ RECOMMENDED PCB LAYOUT



MECHANICAL DATA
TEMPERATURE RANGE : -65°C ~ + 165°C

ELECTRICAL DATA
FREQUENCY RANGE: DC~6GHz
IMPEDANCE : 50Ω
VSWR : 1.5 MAX.
WORKING VOLTAGE : AC 175V
WITHSTANDING VOLTAGE : AC 500V
INSULATION RESISTANCE : 1000 MΩ MIN

05	CUBE BODY	BRASS	GOLD	1
04	INSULATOR B	TEFLON	NONE	1
03	CENTER PIN	BRASS	GOLD	1
02	INSULATOR A	TEFLON	NONE	1
01	BODY	BRASS	GOLD	1
NO	DESCRIPTION	MATERIAL	FINISH	Q'TY

TITLE		DRAWN BY: Kelly		2024/01/16	
SSMC(F) ra. PCB type		CHK'D BY: Eileen		2024/01/16	
DWG NO. C96BN3F04		CUST. P/N: N/A		REV. 1.10	
DWG NO: N/A		SHEET 1 of 1		Unit: mm	
GENERAL TOLERANCES		DRAWN BY: Kelly		2024/01/16	
.X ±0.2		CHK'D BY: Eileen		2024/01/16	
.XX ±0.2		DA2401160008		1.10	
.XXX ±0.2					
ANGLES N/A					

