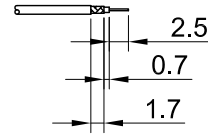
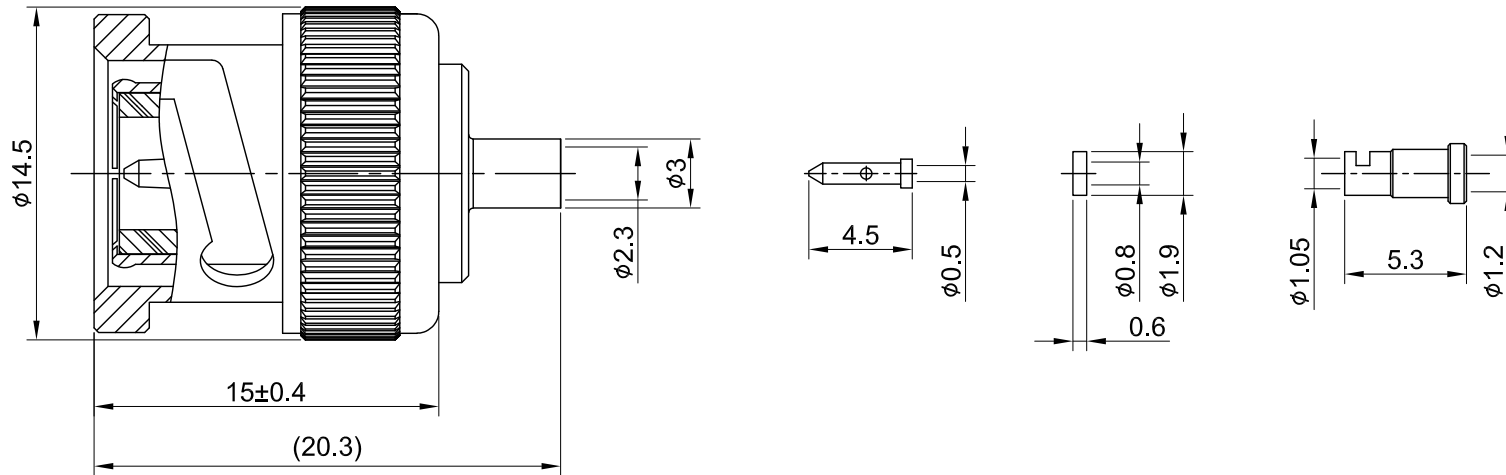


REV	DESCRIPTION	DATE
2.00	UPDATE DRAWINGS	2024/07/19
2.10	NEW DRAWING FRAME	2024/08/19



RECOMMENDED STRIP LENGTHS



MECHANICAL DATA  
TEMPERATURE RANGE : -65°C ~ + 165°C

ELECTRICAL DATA  
FREQUENCY RANGE: DC~4GHz  
IMPEDANCE : 50Ω  
VSWR : 1.5 MAX.  
WORKING VOLTAGE : AC 500V  
WITHSTANDING VOLTAGE : AC 1500V  
INSULATION RESISTANCE : 5000 MΩ MIN

11	FERRULE	BRASS	GOLD	1
10	GASKET	TEFLON	NONE	1
09	BULLET CONTACT	BRASS	GOLD	1
08	CENTER PIN	P.BRONZE	GOLD	1
07	INSULATOR	TEFLON	NONE	1
06	BODY	BRASS	NICKEL	1
05	WASHER	STEEL	NICKEL	1
04	SPRING	SK5	NICKEL	1
03	INNER RETAINING RING	STEEL	NICKEL	1
02	GASKET	SILICONE RUBBER	RED	1
01	SHELL	BRASS	NICKEL	1
NO	DESCRIPTION	MATERIAL	FINISH	Q'TY

TITLE		BNC(M)st crimp for 1.13/1.13Low loss	
DWG NO.		C15CA3F113001K	
CUST. P/N: N/A		DRAWN BY: Kelly 2024/08/19	
DWG NO: N/A		CHK'D BY: Eileen 2024/08/19	
SHEET 1 of 1		Unit: mm	
Unit: mm			
GENERAL TOLERANCES .X ±0.2 .XX ±0.2 .XXX ±0.2 ANGLES N/A		DA2408190005 REV. 2.10	