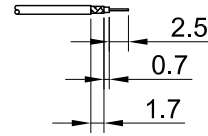
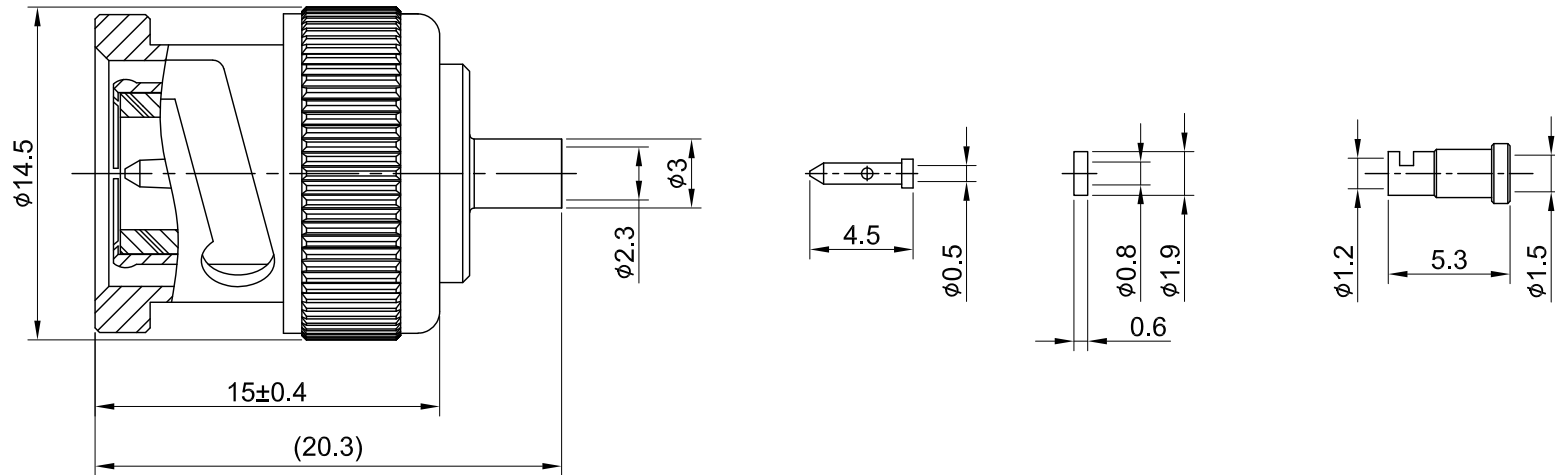


| REV | DESCRIPTION | DATE |
|------|-------------------|------------|
| 2.00 | UPDATE DRAWINGS | 2024/07/19 |
| 2.10 | NEW DRAWING FRAME | 2024/08/19 |



RECOMMENDED
STRIP LENGTHS



MECHANICAL DATA
TEMPERATURE RANGE : -65°C ~ + 165°C

ELECTRICAL DATA
FREQUENCY RANGE: DC~4GHz
IMPEDANCE : 50Ω
VSWR : 1.5 MAX.
WORKING VOLTAGE : AC 500V
WITHSTANDING VOLTAGE : AC 1500V
INSULATION RESISTANCE : 5000 MΩ MIN

| | | | | |
|----|----------------------|-----------------|--------|------|
| 11 | FERRULE | BRASS | GOLD | 1 |
| 10 | GASKET | TEFLON | NONE | 1 |
| 09 | BULLET CONTACT | BRASS | GOLD | 1 |
| 08 | CENTER PIN | P.BRONZE | GOLD | 1 |
| 07 | INSULATOR | TEFLON | NONE | 1 |
| 06 | BODY | BRASS | NICKEL | 1 |
| 05 | WASHER | STEEL | NICKEL | 1 |
| 04 | SPRING | SK5 | NICKEL | 1 |
| 03 | INNER RETAINING RING | STEEL | NICKEL | 1 |
| 02 | GASKET | SILICONE RUBBER | RED | 1 |
| 01 | SHELL | BRASS | NICKEL | 1 |
| NO | DESCRIPTION | MATERIAL | FINISH | Q'TY |

TITLE
BNC(M)st crimp for 1.32/1.32DS cable

DWG NO.
C15CA3F132001K

CUST.
P/N: N/A
DWG NO: N/A

SHEET 1 of 1 Unit: mm



| GENERAL TOLERANCES | | DRAWN BY: Kelly 2024/08/19 | |
|--------------------|------|----------------------------|-----------|
| .X | ±0.2 | | REV. 2.10 |
| .XX | ±0.2 | | |
| .XXX | ±0.2 | | |
| ANGLES | N/A | DA2408190006 | 2.10 |