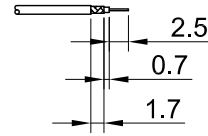
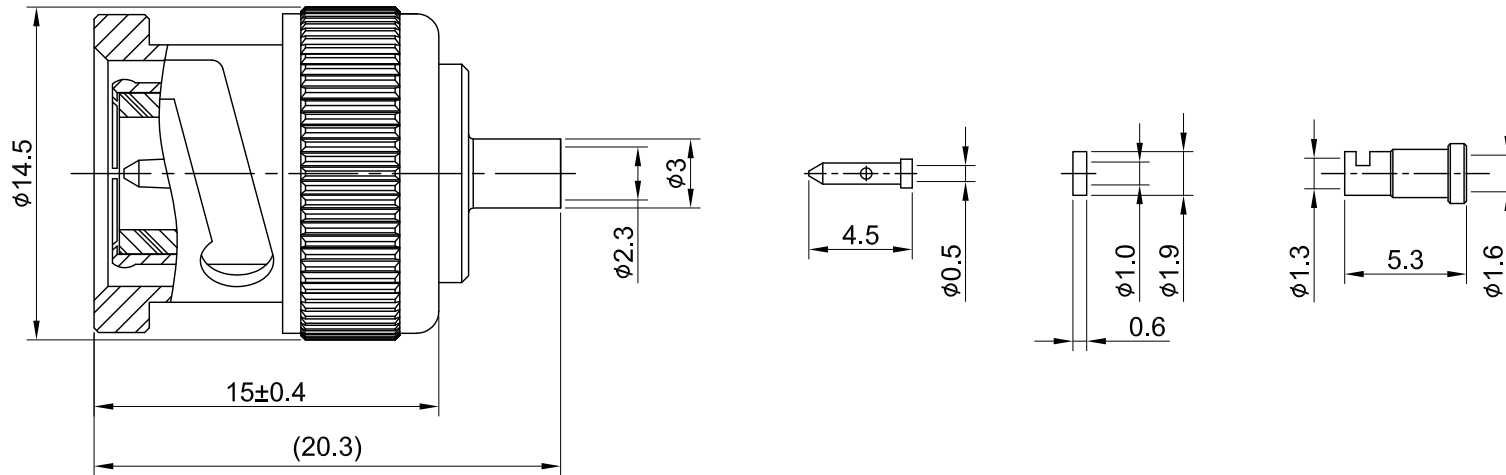


REV	DESCRIPTION	DATE
2.00	UPDATE DRAWINGS	2024/07/19
2.10	NEW DRAWING FRAME	2024/08/19



RECOMMENDED STRIP LENGTHS



11	FERRULE	BRASS	GOLD	1
10	GASKET	TEFLON	NONE	1
09	BULLET CONTACT	BRASS	GOLD	1
08	CENTER PIN	P.BRONZE	GOLD	1
07	INSULATOR	TEFLON	NONE	1
06	BODY	BRASS	NICKEL	1
05	WASHER	STEEL	NICKEL	1
04	SPRING	SK5	NICKEL	1
03	INNER RETAINING RING	STEEL	NICKEL	1
02	GASKET	SILICONE RUBBER	RED	1
01	SHELL	BRASS	NICKEL	1
NO	DESCRIPTION	MATERIAL	FINISH	Q'TY

TITLE			GENERAL TOLERANCES .X ±0.2 .XX ±0.2 .XXX ±0.2 ANGLES N/A	DRAWN BY: Kelly	2024/08/19
BNC(M)st crimp for 1.37				CHK'D BY: Eileen	2024/08/19
DWG NO. C15CA3F137001K		CUST. P/N: N/A DWG NO: N/A		REV. 2.10	
SHEET 1 of 1	Unit: mm			DA2408190007	

MECHANICAL DATA
TEMPERATURE RANGE : -65°C ~ + 165°C

ELECTRICAL DATA
FREQUENCY RANGE: DC~4GHz
IMPEDANCE : 50Ω
VSWR : 1.5 MAX.
WORKING VOLTAGE : AC 500V
WITHSTANDING VOLTAGE : AC 1500V
INSULATION RESISTANCE : 5000 MΩ MIN