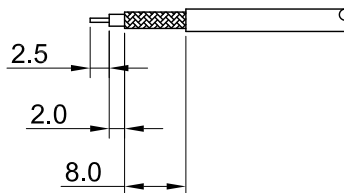
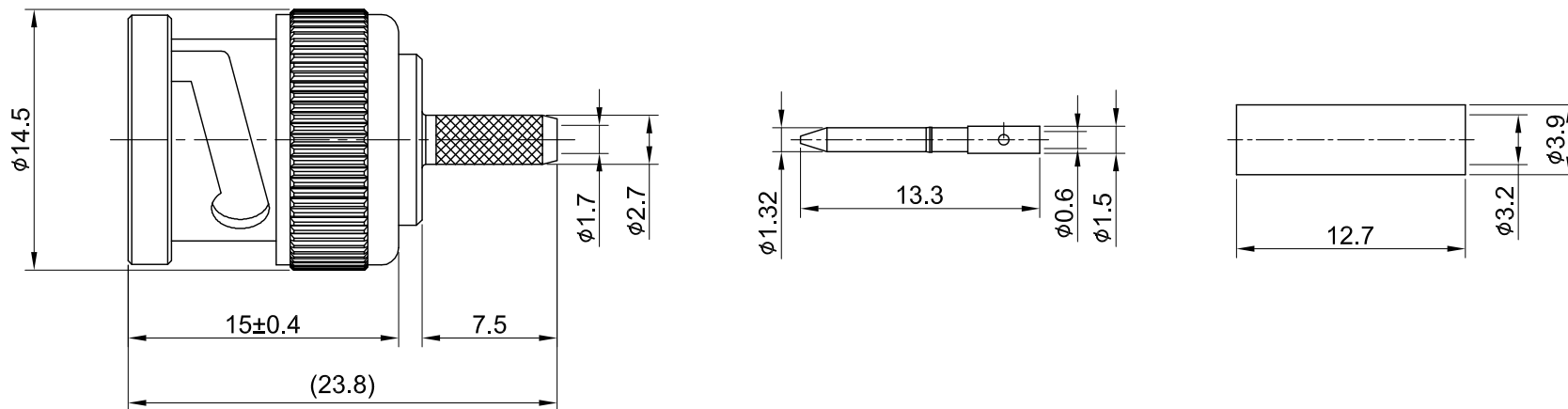


REV	DESCRIPTION	DATE
1.20	NEW DRAWING FRAME	2023/07/04
1.21	CORRECT INSULATION RESISTANCE	2024/01/24



RECOMMENDED STRIP LENGTHS



MECHANICAL DATA
TEMPERATURE RANGE : -65°C ~ + 165°C

ELECTRICAL DATA
FREQUENCY RANGE: DC~4GHz
IMPEDANCE : 50Ω
VSWR : 1.5 MAX.
WORKING VOLTAGE : AC 500V
WITHSTANDING VOLTAGE : AC 1500V
INSULATION RESISTANCE : 5000 MΩ MIN

09	FERRULE	BRASS	NICKEL	1
08	CENTER PIN	BRASS	GOLD	1
07	BODY	BRASS	NICKEL	1
06	INSULATOR	TEFLON	NONE	1
05	WASHER	STEEL	NICKEL	1
04	SPRING	SK5	NICKEL	1
03	INNER RETAININT RING	STEEL	NICKEL	1
02	GASKET	SILICONE RUBBER	RED	1
01	SHELL	ZINC	NICKEL	1
NO	DESCRIPTION	MATERIAL	FINISH	Q'TY

TITLE
BNC(M) st. crimp type for RG174/RG316, Zinc Alloy shell

DWG NO.
C15CA3F174001-Z

CUST.
P/N: N/A
DWG NO: N/A

SHEET 1 of 1 Unit: mm



GENERAL TOLERANCES	DRAWN BY: Lottie	2024/01/24
.X ±0.2	CHK'D BY: Dora	2024/01/24
.XX ±0.2		
.XXX ±0.2		
ANGLES N/A		
	DA2401040007	REV. 1.21