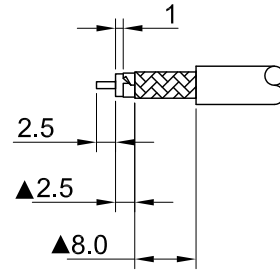
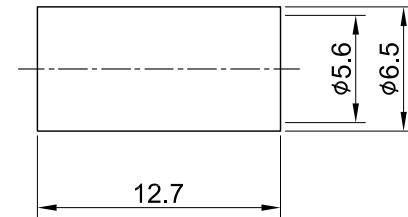
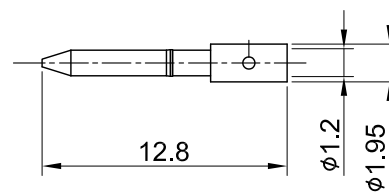
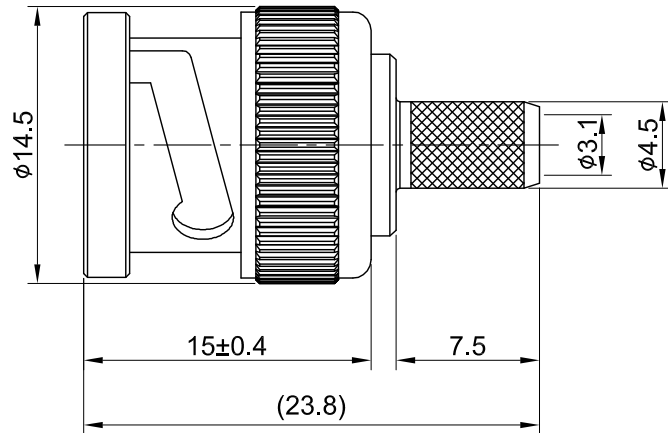


REV	DESCRIPTION	DATE
2.20	CORRECT THE COMPLETE MATERIAL NAME SILICON RUBBER W. SILICON	2020/11/24
2.30	ADD DIM 1	2024/04/08
2.40	CHG 2.5/ 8.0 W. 2.0/ 8.5	2024/09/04



RECOMMENDED STRIP LENGTHS



MECHANICAL DATA
TEMPERATURE RANGE : -65°C ~ + 165°C

ELECTRICAL DATA
FREQUENCY RANGE: DC~4GHz
IMPEDANCE : 50Ω
VSWR : 1.3 MAX.
WORKING VOLTAGE : AC 500V
WITHSTANDING VOLTAGE : AC 1500V
INSULATION RESISTANCE : 5000 MΩ MIN

09	FERRULE	BRASS	NICKEL	1
08	CENTER PIN	BRASS	GOLD	1
07	BODY	BRASS	NICKEL	1
06	INSULATOR	TEFLON	NONE	1
05	WASHER	STEEL	NICKEL	1
04	SPRING	SK5	NICKEL	1
03	INNER RETAINING RING	STEEL	NICKEL	1
02	GASKET	SILICONE RUBBER	RED	1
01	SHELL	BRASS	NICKEL	1
NO	DESCRIPTION	MATERIAL	FINISH	Q'TY

TITLE		DRAWN BY: Kelly		2024/04/08
BNC(M) st. crimp for LMR200		CHK'D BY: Dora		2024/04/08
DWG NO. C15CA3FL20001		GENERAL TOLERANCES		
CUST. P/N: N/A DWG NO: N/A		.X ±0.2 .XX ±0.2 .XXX ±0.2 ANGLES N/A		
SHEET 1 of 1	Unit: mm	DA2403220001		REV. 2.40

