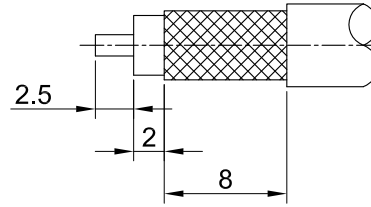
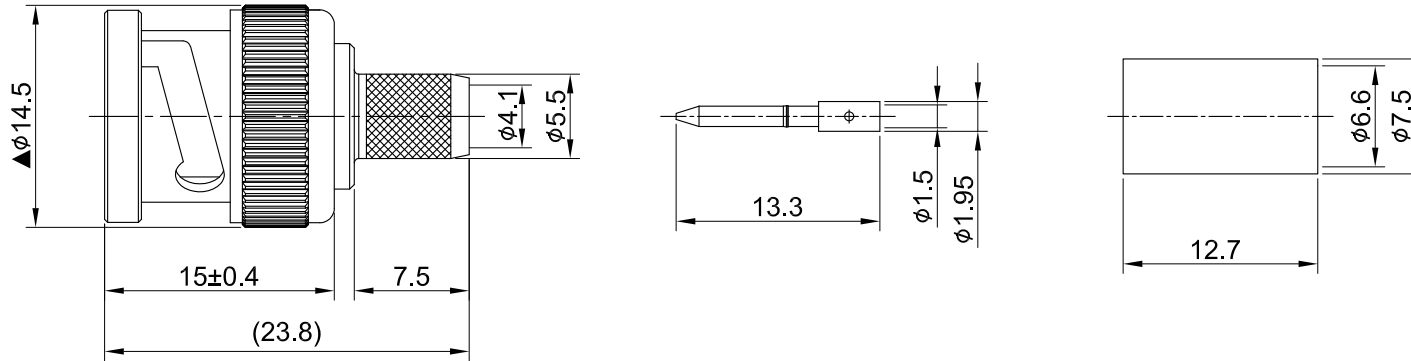


REV	DESCRIPTION	DATE
1.10	UPDATE DRAWINGS	2024/04/16
1.20	NEW DRAWING FRAME	2024/02/21
1.21	CORRECT $\phi 14.5$ W. $\phi 14.48$	2024/04/03



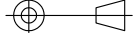
RECOMMENDED STRIP LENGTHS



MECHANICAL DATA  
TEMPERATURE RANGE : -65°C ~ + 165°C

ELECTRICAL DATA  
FREQUENCY RANGE: DC~4GHz  
IMPEDANCE : 50Ω  
VSWR : 1.5 MAX.  
WORKING VOLTAGE : AC 500V  
WITHSTANDING VOLTAGE : AC 1500V  
INSULATION RESISTANCE : 5000 MΩ MIN

09	FERRULE	BRASS	NICKEL	1
08	CENTER PIN	BRASS	GOLD	1
07	BODY	BRASS	NICKEL	1
06	INSULATOR	TEFLON	NONE	1
05	WASHER	STEEL	NICKEL	1
04	SPRING	SK5	NICKEL	1
03	INNER RETAINING RING	STEEL	NICKEL	1
02	GASKET	SILICONE RUBBER	RED	1
01	SHELL	BRASS	NICKEL	1
NO	DESCRIPTION	MATERIAL	FINISH	Q'TY

TITLE		DRAWN BY: Kelly		2024/04/03
BNC(M) st. crimp type for LMR240		CHK'D BY: Dora		2024/04/03
DWG NO. C15CA3FL24001		GENERAL TOLERANCES		
CUST. P/N: N/A DWG NO: N/A		.X ±0.2 .XX ±0.2 .XXX ±0.2 ANGLES N/A		
SHEET 1 of 1	Unit: mm	DA2403260003		REV. 1.21