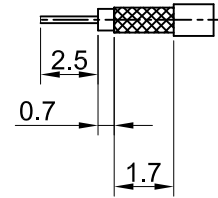
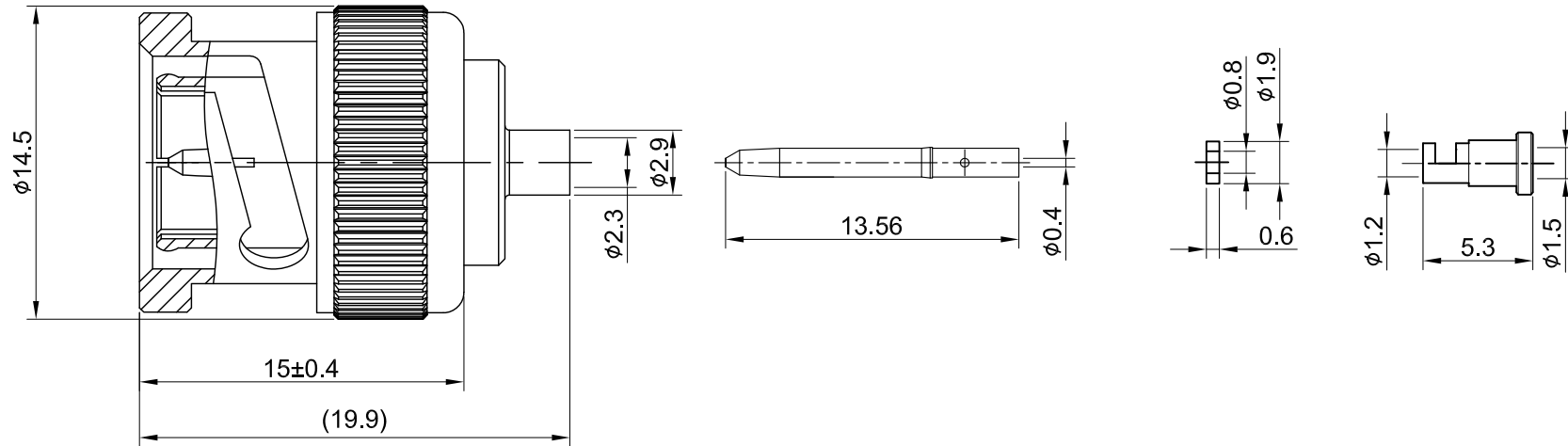


REV	DESCRIPTION	DATE
3.00	CHG THE INTERNAL DESIGN AND PIN	2020/05/05
3.10	NEW DRAWING FRAME	2024/03/29




RECOMMENDED STRIP LENGTHS



MECHANICAL DATA
TEMPERATURE RANGE : -65°C ~ + 165°C

ELECTRICAL DATA
FREQUENCY RANGE: DC~3GHZ
IMPEDANCE : 75Ω
VSWR : 1.3 MAX.
WORKING VOLTAGE : AC 500V
WITHSTANDING VOLTAGE : AC 1500V
INSULATION RESISTANCE : 5000 MΩ MIN

10	FERRULE	BRASS	GOLD	1
09	INSULATOR GASKET	TEFLON	NONE	1
08	CENTER PIN	BRASS	GOLD	1
07	BODY	BRASS	NICKEL	1
06	WASHER	STEEL	NICKEL	1
05	SPRING	SK5	NICKEL	1
04	INNER RETAINING RING	STEEL	NICKEL	1
03	GASKET	SILICONE RUBBER	RED	1
02	INSULATOR	TEFLON	NONE	1
01	SHELL	BRASS	NICKEL	1
NO	DESCRIPTION	MATERIAL	FINISH	Q'TY

TITLE		DRAWN BY: Kelly		2024/03/29
BNC(M)st. crimp for 1.32, 75ohm		CHK'D BY: Dora		2024/03/29
DWG NO. C15QA3F132001K		CUST. P/N: N/A		
DWG NO: N/A		DWG NO: N/A		
SHEET 1 of 1		Unit: mm		GENERAL TOLERANCES .X ±0.2 .XX ±0.2 .XXX ±0.2 ANGLES N/A
		DA2403110017		REV. 3.10