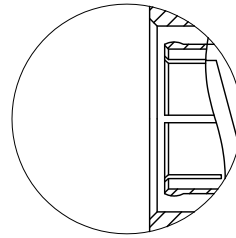
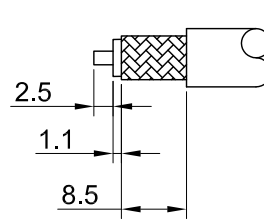


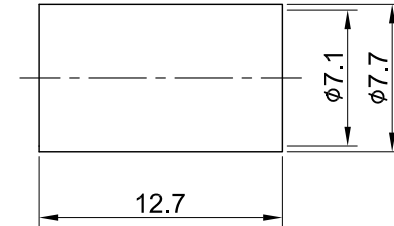
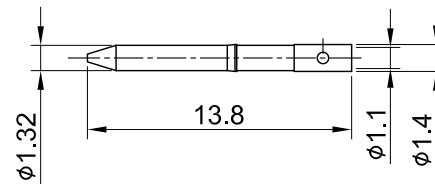
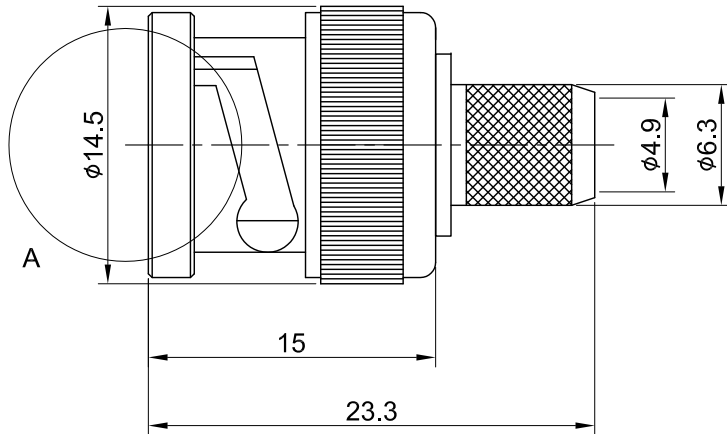
REV	DESCRIPTION	DATE
2.00	CORRECT WASHER MATERIAL STEEL W. BRASS	2017/06/20
2.10	NEW DRAWING FRAME	2023/11/20



DETAIL A



RECOMMENDED STRIP LENGTHS



MECHANICAL DATA
TEMPERATURE RANGE : -65°C ~ + 165°C

ELECTRICAL DATA
FREQUENCY RANGE: DC~3GHZ
IMPEDANCE : 75Ω
VSWR : 1.3 MAX.
WORKING VOLTAGE : AC 500V
WITHSTANDING VOLTAGE : AC 1500V
INSULATION RESISTANCE : 5000 MΩ MIN

09	FERRULE	BRASS	NICKEL	1
08	CENTER PIN	BRASS	GOLD	1
07	BODY	BRASS	NICKEL	1
06	WASHER	STAINLESS STEEL	NICKEL	1
05	SPRING	SK5	NICKEL	1
04	INNER RETAINING RING	BRASS	NICKEL	1
03	O RING	SILICONE RUBBER	RED	1
02	INSULATOR	TEFLON	NONE	1
01	SHELL	BRASS	NICKEL	1
NO	DESCRIPTION	MATERIAL	FINISH	Q'TY

TITLE		DRAWN BY: Kelly		2023/11/20
BNC(M)st.crimp for RG6U, 75ohm		CHK'D BY: David		2023/11/20
DWG NO. C15QA3FRG6U01		GENERAL TOLERANCES		
CUST. P/N: N/A DWG NO: N/A		.X ±0.2 .XX ±0.2 .XXX ±0.2 ANGLES N/A		
SHEET 1 of 1	Unit: mm	DA2311200002		REV. 2.10