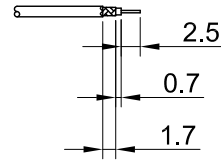
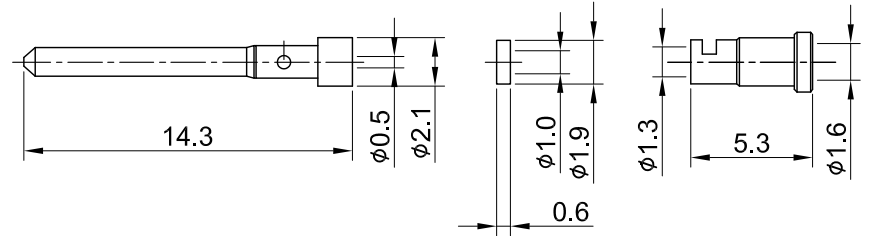
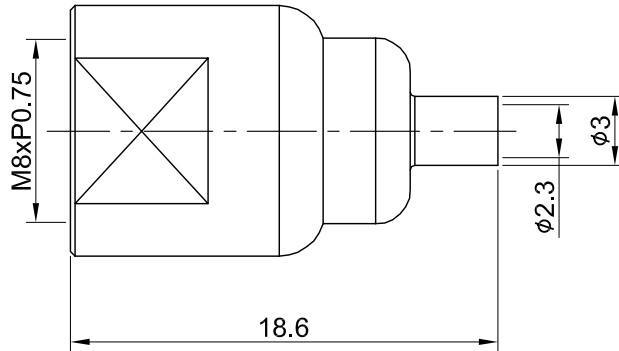
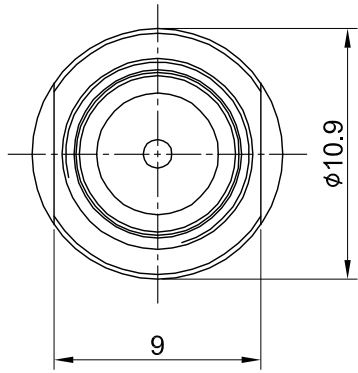


REV	DESCRIPTION	DATE
2.00	UPDATE DRAWINGS	2020/10/30
2.10	NEW DRAWING FRAME	2024/09/11



RECOMMENDED STRIP LENGTHS



MECHANICAL DATA  
TEMPERATURE RANGE : -40°C ~ + 85°C

ELECTRICAL DATA  
FREQUENCY RANGE: DC~2GHz  
IMPEDANCE : 50Ω  
VSWR : 1.5 MAX.  
WORKING VOLTAGE : AC 500V  
WITHSTANDING VOLTAGE : AC 1000V  
INSULATION RESISTANCE : 5000 MΩ MIN

05	FERRULE	BRASS	GOLD	1
04	INSULATOR GASKET	TEFLON	NONE	1
03	CENTER PIN	BRASS	GOLD	1
02	INSULATOR	POM	NONE	1
01	BODY	BRASS	NICKEL	1
NO	DESCRIPTION	MATERIAL	FINISH	Q'TY

TITLE		DRAWN BY: Kelly		2024/09/11	
FME(M) st for 1.37		CHK'D BY: Chili		2024/09/11	
DWG NO. C29CA3F137002A		REVISIONS		REV. 2.10	
CUST. P/N: N/A		GENERAL TOLERANCES		DA2409100024	
DWG NO: N/A		.X ±0.2			
SHEET 1 of 1		.XX ±0.2			
Unit: mm		.XXX ±0.2			
		ANGLES N/A			

