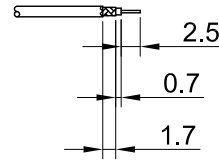
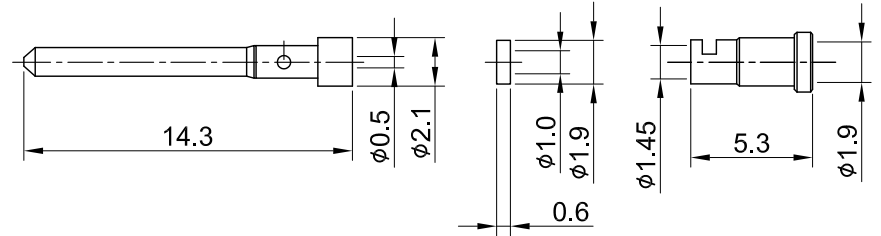
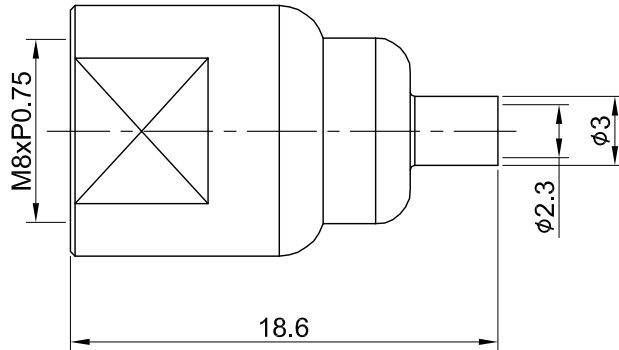
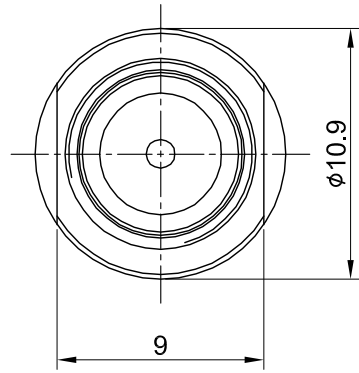


REV	DESCRIPTION	DATE
3.00	CORRECT BOM(03) POM W. DELRIN	2017/06/21
3.10	NEW DRAWING FRAME	2024/09/11



RECOMMENDED STRIP LENGTHS



MECHANICAL DATA
TEMPERATURE RANGE : -40°C ~ + 85°C

ELECTRICAL DATA
FREQUENCY RANGE: DC~2GHz
IMPEDANCE : 50Ω
VSWR : 1.5 MAX.
WORKING VOLTAGE : AC 500V
WITHSTANDING VOLTAGE : AC 1000V
INSULATION RESISTANCE : 5000 MΩ MIN

05	FERRULE	BRASS	GOLD	1
04	INSULATOR GASKET	TEFLON	NONE	1
03	INSULATOR	POM	NONE	1
02	CENTER PIN	BRASS	GOLD	1
01	BODY	BRASS	NICKEL	1
NO	DESCRIPTION	MATERIAL	FINISH	Q'TY

TITLE		DRAWN BY: Kelly		2024/09/11	
FME(M) st for RG178		CHK'D BY: Chilli		2024/09/11	
DWG NO. C29CA3F178002A		REVISION		REV. 3.10	
CUST. P/N: N/A		DRAWING NO: N/A		DA2409100025	
SHEET 1 of 1		Unit: mm			

Wellshow logo and drawing information including general tolerances (X ±0.2, XX ±0.2, XXX ±0.2, ANGLES N/A) and a drawing symbol.