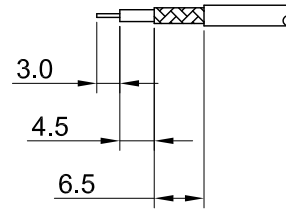
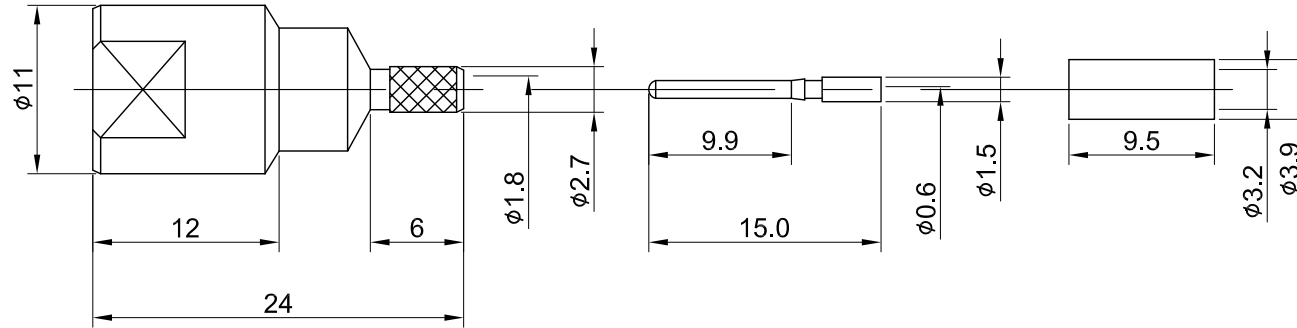


REV	DESCRIPTION	DATE
1.00	INITIAL DESIGN	2009/06/03
1.00	NEW DRAWING FRAME	2024/08/26



RECOMMENDED STRIP LENGTHS



MECHANICAL DATA
TEMPERATURE RANGE : -40°C ~ + 85°C

ELECTRICAL DATA
IMPEDANCE : 50Ω
WORKING VOLTAGE : AC 250V
WITHSTANDING VOLTAGE : AC 1000V
INSULATION RESISTANCE : 5000 MΩ MIN

04	FERRULE	BRASS	NICKEL	1
03	CENTER PIN	BRASS	GOLD	1
02	INSULATOR	DELTRIN	WHITE	1
01	BODY	BRASS	NICKEL	1
NO	DESCRIPTION	MATERIAL	FINISH	Q'TY

TITLE		DRAWN BY: Kelly		2024/08/26	
FME(M) st. crimp type for RG174		CHK'D BY: Chili		2024/08/26	
DWG NO. C29CAWS174002		GENERAL TOLERANCES		REVISION	
CUST. P/N: N/A		.X ±0.2		REV.	
DWG NO: N/A		.XX ±0.2		1.10	
SHEET 1 of 1		.XXX ±0.2		DA2408260013	
Unit: mm		ANGLES N/A			

