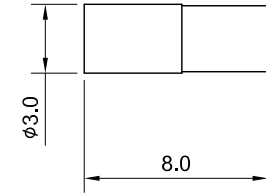
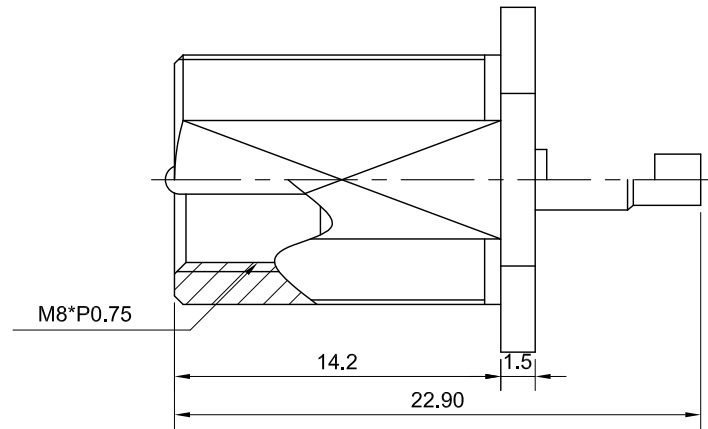
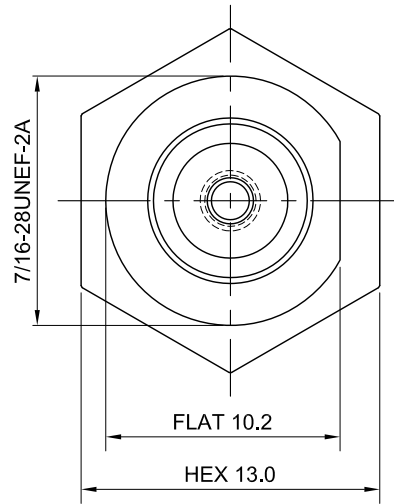
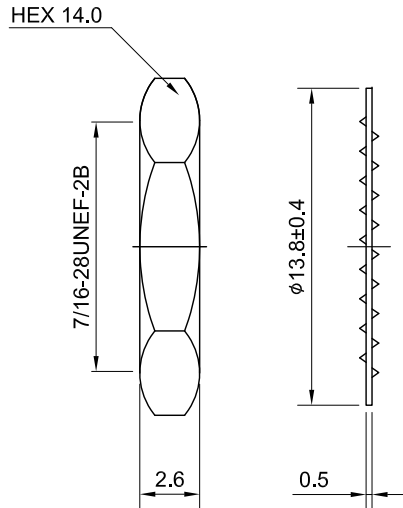
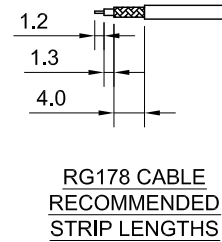
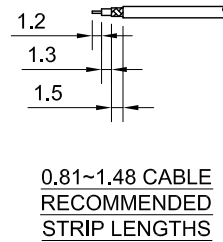
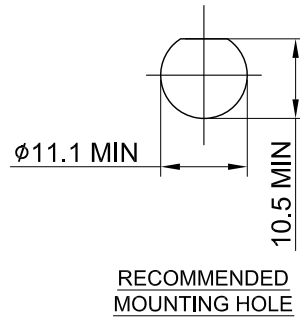



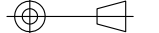
REV	DESCRIPTION	DATE
2.03	ADD $\phi 3.0$, CHG 10.4 W. 10.35	2021/10/18
2.10	NEW DRAWING FRAME	2024/08/13



MECHANICAL DATA
TEMPERATURE RANGE : -65°C ~ + 165°C

ELECTRICAL DATA
FREQUENCY RANGE: DC~3GHz
IMPEDANCE : 50Ω
VSWR : 1.5 MAX.
WORKING VOLTAGE : AC 500V
WITHSTANDING VOLTAGE : AC 500V
INSULATION RESISTANCE : 5000 MΩ MIN

06	NUT	BRASS	NICKEL	1
05	WASHER	BRASS	NICKEL	1
04	FERRULE	BRASS	NICKEL	1
03	CENTER PIN	BRASS	GOLD	1
02	INSULATOR	TEFLON	NONE	1
01	BODY	BRASS	NICKEL	1
NO	DESCRIPTION	MATERIAL	FINISH	Q'TY

TITLE			
FME(M) bulkhead for 0.81~RG178(Full thread)			
DWG NO.			
C29CBWS178001			
CUST. P/N: N/A		GENERAL TOLERANCES	DRAWN BY: Kelly 2024/08/13
DWG NO: N/A		.X ±0.2	CHK'D BY: Chili 2024/08/13
SHEET 1 of 1		.XX ±0.2	
Unit: mm		.XXX ±0.2	
		ANGLES N/A	REV. 2.10
			DA2408130007