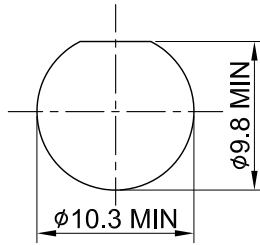
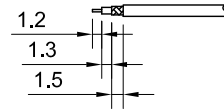


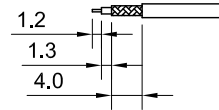
REV	DESCRIPTION	DATE
2.02	TAKE OFF PN#	2020/04/29
2.10	NEW DRAWING FRAME	2024/08/13



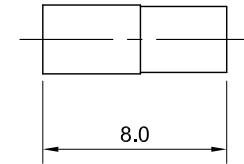
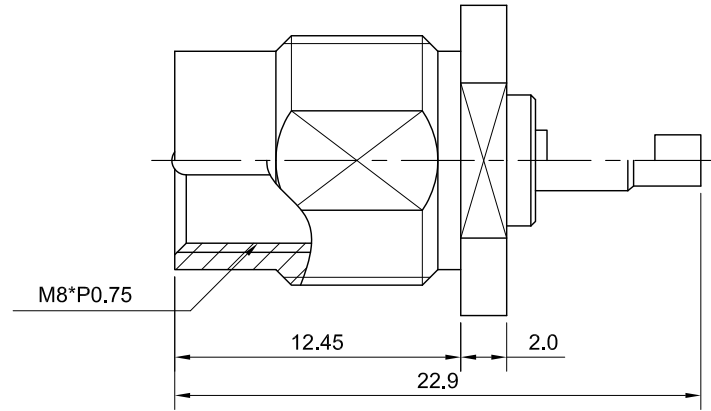
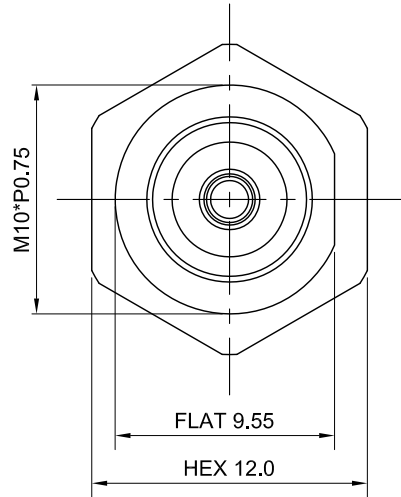
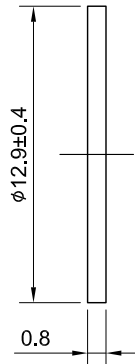
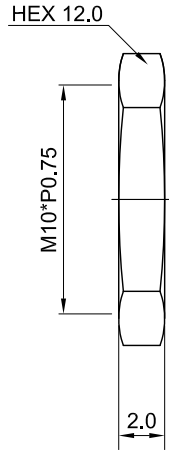
RECOMMENDED MOUNTING HOLE



0.81~1.48 CABLE RECOMMENDED STRIP LENGTHS



RG178 CABLE RECOMMENDED STRIP LENGTHS



MECHANICAL DATA
TEMPERATURE RANGE : -65°C ~ + 165°C

ELECTRICAL DATA
FREQUENCY RANGE: DC~3GHZ
IMPEDANCE : 50Ω
VSWR : 1.5 MAX.
WORKING VOLTAGE : AC 500V
WITHSTANDING VOLTAGE : AC 500V
INSULATION RESISTANCE : 5000 MΩ MIN

06	NUT	BRASS	NICKEL	1
05	WASHER	BRASS	NICKEL	1
04	FERRULE	BRASS	NICKEL	1
03	CENTER PIN	BRASS	GOLD	1
02	INSULATOR	TEFLON	NONE	1
01	BODY	BRASS	NICKEL	1
NO	DESCRIPTION	MATERIAL	FINISH	Q'TY

TITLE		DRAWN BY:		CHK'D BY:		REV.	
FME(M) bulkhead, hex panel, half thread for 0.81~RG178		Kelly		Chili		2.10	
DWG NO. C29CBWS178001B		2024/08/13		2024/08/13			
CUST. P/N: N/A DWG NO: N/A		GENERAL TOLERANCES		DA2408130009			
SHEET 1 of 1 Unit: mm		.X ±0.2 .XX ±0.2 .XXX ±0.2 ANGLES N/A					

