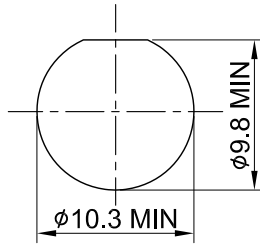
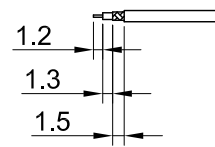


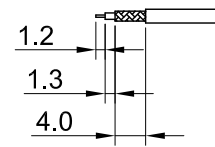
REV	DESCRIPTION	DATE
1.10	ADD DIMENSION, CHG $\phi 10.3$ W. $\phi 10.25$	2021/10/13
1.20	NEW DRAWING FRAME	2024/07/03



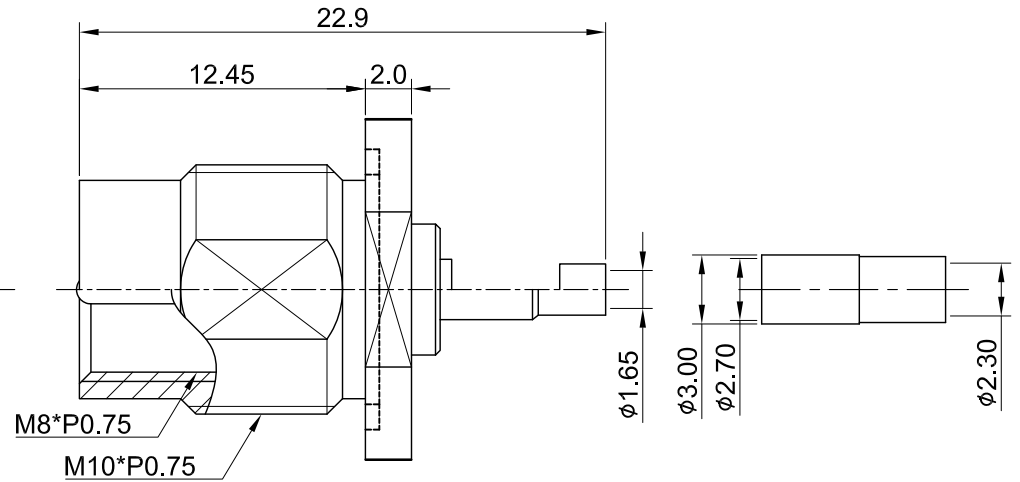
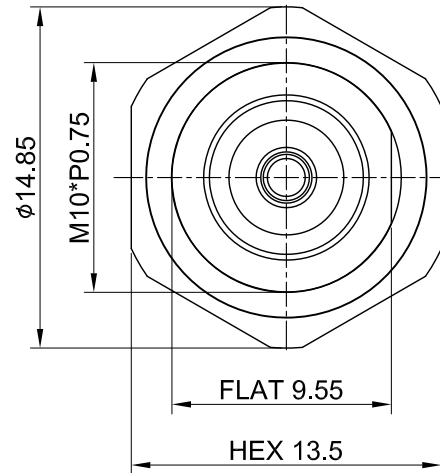
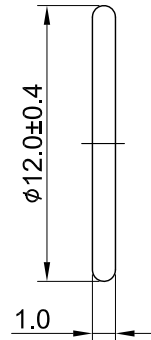
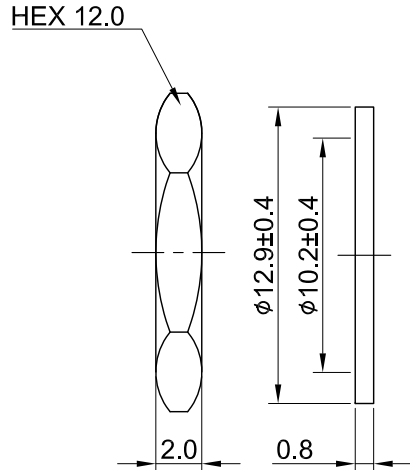
RECOMMENDED MOUNTING HOLE



(0.81~1.48 CABLE)
RECOMMENDED CABLE STRIPPING DIM



(RG178 CABLE)
RECOMMENDED CABLE STRIPPING DIM



MECHANICAL DATA
TEMPERATURE RANGE : -65°C ~ + 165°C

ELECTRICAL DATA
FREQUENCY RANGE: DC~1GHz
IMPEDANCE : 50Ω
VSWR : 1.5 MAX.
WORKING VOLTAGE : AC 500V
WITHSTANDING VOLTAGE : AC 1000V
INSULATION RESISTANCE : 5000 MΩ MIN

07	FERRULE	BRASS	NICKEL	1
06	INSULATOR	TEFLON	NONE	1
05	PIN	BRASS	GOLD	1
04	BODY	BRASS	NICKEL	1
03	O RING	SILICONE RUBBER	BLACK	1
02	WASHER	BRASS	NICKEL	1
01	NUT	BRASS	NICKEL	1
NO	DESCRIPTION	MATERIAL	FINISH	Q'TY

TITLE		DRAWN BY: Kelly		2024/07/03
FME(M) bulkhead, hex panel, half thread w/Oring for 0.81~RG178		CHK'D BY: Maria		2024/07/03
DWG NO. C29CDWS178011		REVISION		REV. 1.20
CUST. P/N: N/A DWG NO: N/A		DA2407010001		
SHEET 1 of 1		Unit: mm		

GENERAL TOLERANCES
.X ±0.2
.XX ±0.2
.XXX ±0.2
ANGLES N/A