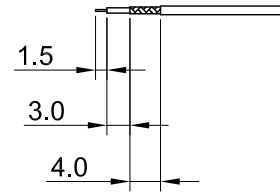
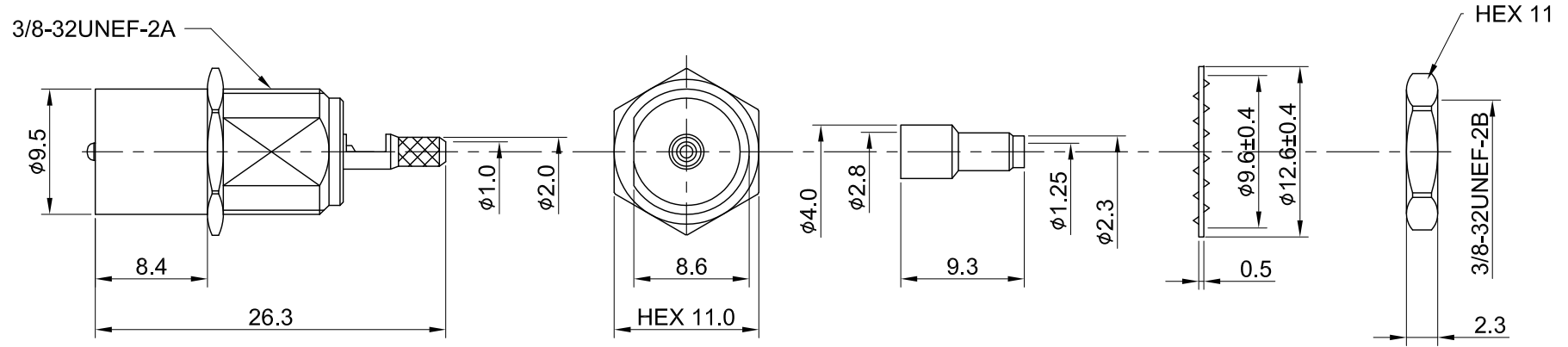


REV	DESCRIPTION	DATE
1.01	UPDATE PIN POSITION	2017/01/24
1.10	NEW DRAWING FRAME	2024/05/06



RECOMMENDED STRIP LENGTHS



MECHANICAL DATA  
TEMPERATURE RANGE : -65°C ~ + 165°C

ELECTRICAL DATA  
FREQUENCY RANGE: DC~1GHz  
IMPEDANCE : 50Ω  
VSWR : 1.5 MAX.  
WORKING VOLTAGE : AC 500V  
WITHSTANDING VOLTAGE : AC 1000V  
INSULATION RESISTANCE : 5000 MΩ MIN

07	NUT	BRASS	NICKEL	1	TITLE FME(M) bh. front mount, crimp type for 1.13		
05	WASHER	STEEL	NICKEL	1			
06	CENTER PIN	BRASS	GOLD	1	DWG NO. C29CK3F113005		
05	INSULATOR B	TEFLON	NONE	1			
04	BODY	BRASS	NICKEL	1	CUST. P/N: N/A DWG NO: N/A		
03	INSULATOR A	TEFLON	NONE	1			
02	FERRULE	BRASS	NICKEL	1	GENERAL TOLERANCES .X ±0.2 .XX ±0.2 .XXX ±0.2 ANGLES N/A		
01	BODY	BRASS	NICKEL	1			
NO	DESCRIPTION	MATERIAL	FINISH	Q'TY	SHEET 1 of 1	Unit: mm	DRAWN BY: Kelly 2024/05/06 CHK'D BY: Dora 2024/05/06 REV. 1.10 DA2405060010

