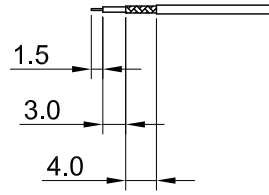
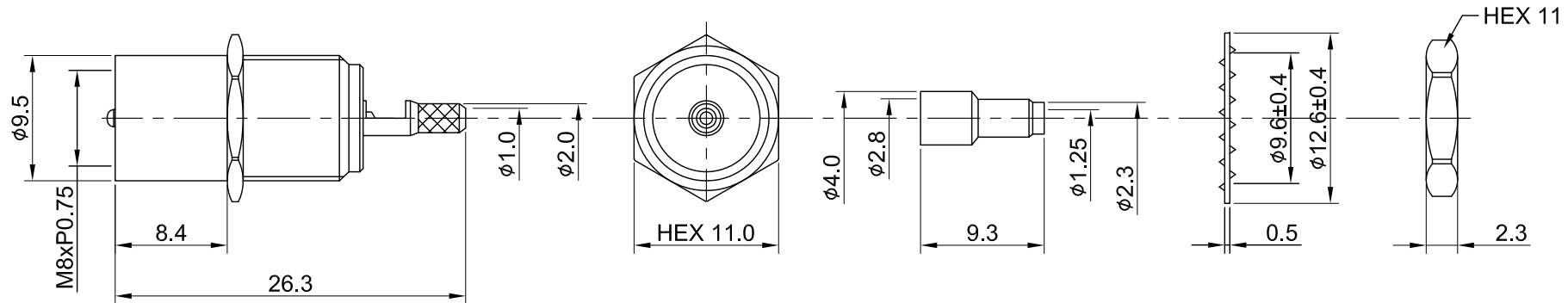


REV	DESCRIPTION	DATE
1.00	INITIAL DESIGN	2024/03/25



RECOMMENDED STRIP LENGTHS



MECHANICAL DATA  
TEMPERATURE RANGE : -65°C ~ + 165°C

ELECTRICAL DATA  
FREQUENCY RANGE: DC~1GHz  
IMPEDANCE : 50Ω  
VSWR : 1.5 MAX.  
WORKING VOLTAGE : AC 500V  
WITHSTANDING VOLTAGE : AC 1000V  
INSULATION RESISTANCE : 5000 MΩ MIN

08	NUT	BRASS	NICKEL	1	TITLE FME(M) bh. front mount without Dflat, crimp type for 1.13	
07	WASHER	STEEL	NICKEL	1		
06	FERRULE	BRASS	NICKEL	1	DWG NO. C29CK3F113005-1	
05	INSULATOR B	TEFLON	NONE	1		
04	BODY B	BRASS	NICKEL	1	CUST. P/N: N/A DWG NO: N/A	
03	CENTER PIN	BRASS	GOLD	1		
02	INSULATOR A	TEFLON	NONE	1	SHEET 1 of 1 Unit: mm	
01	BODY A	BRASS	NICKEL	1		
NO	DESCRIPTION	MATERIAL	FINISH	Q'TY		



**Wellshow**

GENERAL TOLERANCES		DRAWN BY: Kelly 2024/03/25	
.X	±0.2		REV. 1.00
.XX	±0.2		
.XXX	±0.2		
ANGLES	N/A	DA2403250013	