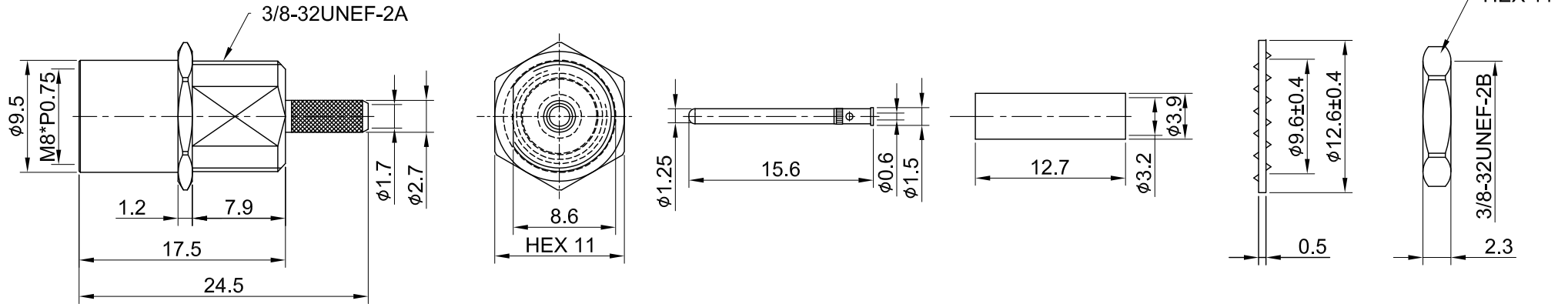
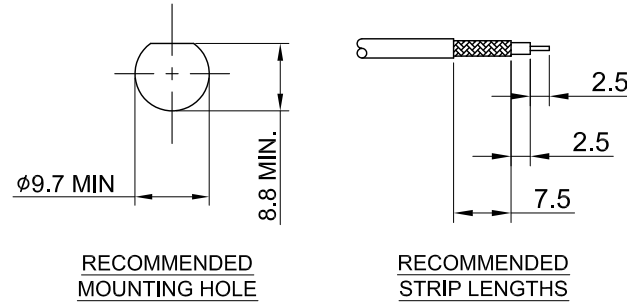


REV	DESCRIPTION	DATE
1.10	ADD RECOMMENDED STRIP LENGTHS, ADD M8*P0.75 & 3/8"-32UNEF	2011/07/13
1.20	NEW DRAWING FRAME	2024/09/09



MECHANICAL DATA
TEMPERATURE RANGE : -65°C ~ + 165°C

ELECTRICAL DATA
FREQUENCY RANGE: DC~1GHz
IMPEDANCE : 50Ω
VSWR : 1.3 MAX.
WORKING VOLTAGE : AC 500V
WITHSTANDING VOLTAGE : AC 1000V
INSULATION RESISTANCE : 5000 MΩ MIN

06	NUT	BRASS	NICKEL	1
05	WASHER	BRASS	NICKEL	1
04	FERRULE	BRASS	NICKEL	1
03	CENTER PIN	BRASS	GOLD	1
02	INSULATOR	TEFLON	NONE	1
01	BODY	BRASS	NICKEL	1
NO	DESCRIPTION	MATERIAL	FINISH	Q'TY

TITLE		DRAWN BY: Kelly		2024/09/09
FME(M) bh. front mount, crimp type for RG174		CHK'D BY: Chilli		2024/09/09
DWG NO. C29CK3F174010		REVISION		REV. 1.20
CUST. P/N: N/A DWG NO: N/A		DA2409090023		
SHEET 1 of 1		Unit: mm		

Wellshow

GENERAL TOLERANCES
.X ±0.2
.XX ±0.2
.XXX ±0.2
ANGLES N/A