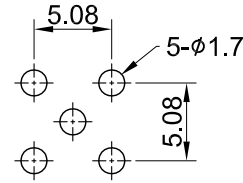
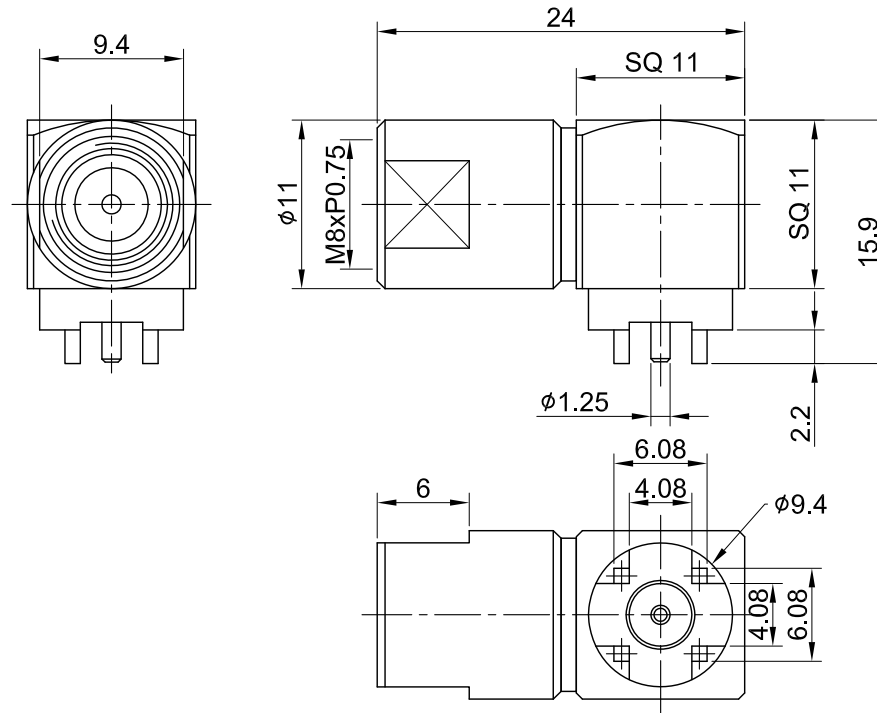


REV	DESCRIPTION	DATE
1.10	NEW DRAWING FRAME	2023/09/28
1.11	REMOVE DURABILITY	2024/01/25



RECOMMENDED STRIP LENGTHS



MECHANICAL DATA
TEMPERATURE RANGE : -65°C ~ + 165°C

ELECTRICAL DATA
FREQUENCY RANGE: DC~3GHz
IMPEDANCE : 50Ω
VSWR : DC~1.5GHz : 1.5 MAX.
1.5~3.0GHz : 1.7 MAX.
WORKING VOLTAGE : AC 100V
WITHSTANDING VOLTAGE : AC 1000V
INSULATION RESISTANCE : 5000 MΩ MIN

TITLE
FME(M) ra. PCB, leg length 2.2mm

05	BODY B	BRASS	NICKEL	1
04	INSULATOR B	TEFLON	NONE	1
03	CENTER PIN	BRASS	GOLD	1
02	INSULATOR A	TEFLON	NONE	1
01	BODY A	BRASS	NICKEL	1
NO	DESCRIPTION	MATERIAL	FINISH	Q'TY

DWG NO. C29DN3F07A	
CUST. P/N:	N/A
DWG NO:	N/A
SHEET	1 of 1
Unit:	mm

GENERAL TOLERANCES

.X ±0.2

.XX ±0.2

.XXX ±0.2

ANGLES N/A

DRAWN BY: Kelly 2024/01/25

CHK'D BY: Eileen 2024/01/25

REV. 1.11

DA2401250007