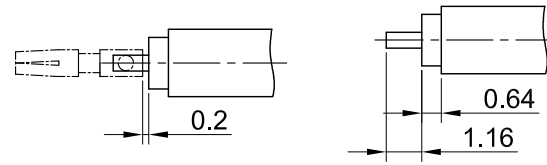
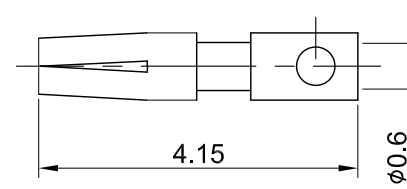
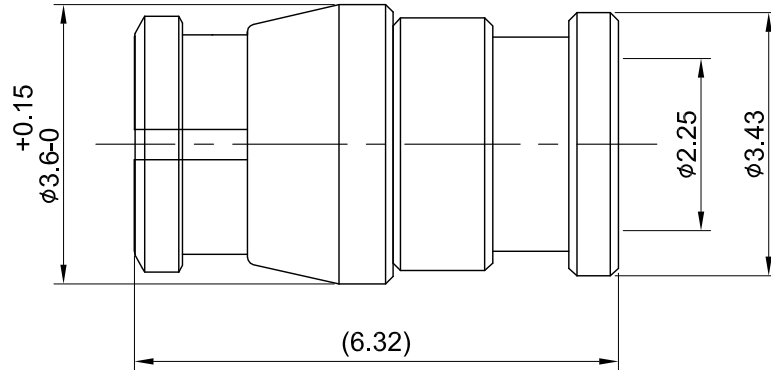


REV	DESCRIPTION	DATE
2.00	CHG DESIGN & DIMS	2017/07/31
2.10	NEW DRAWING FRAME	2024/08/14



ASSEMBLY SUGGESTIONS


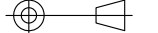
RECOMMENDED STRIP LENGTHS



MECHANICAL DATA
 DURABILITY : 500 CYCLES
 TEMPERATURE RANGE : -65°C ~ + 165°C

ELECTRICAL DATA
 FREQUENCY RANGE: DC~18GHz
 IMPEDANCE : 50Ω
 VSWR : 1.3 MAX.
 WORKING VOLTAGE : AC 335V
 WITHSTANDING VOLTAGE : AC 500V
 INSULATION RESISTANCE : 5000 MΩ MIN

04	RING	Be.Cu	GOLD	1
03	CENTER PIN	Be.Cu	GOLD	1
02	INSULATOR	TEFLON	NONE	1
01	BODY	Be.Cu	GOLD	1
NO	DESCRIPTION	MATERIAL	FINISH	Q'TY

TITLE		DRAWN BY: Kelly		2024/08/14	
SMP(F) st. solder type for 0.085" cable		CHK'D BY: Eileen		2024/08/14	
DWG NO. C60AA3F085002A				 REV.	
CUST. P/N: N/A		GENERAL TOLERANCES .X ±0.2 .XX ±0.2 .XXX ±0.2 ANGLES N/A		DA2408140001 2.10	
DWG NO: N/A		SHEET 1 of 1		Unit: mm	