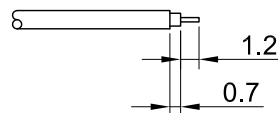
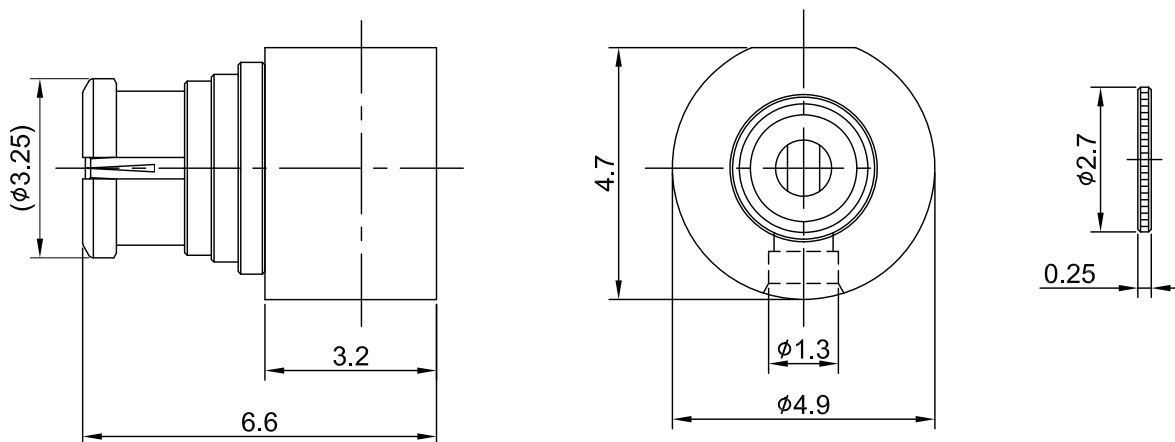


REV	DESCRIPTION	DATE
1.00	INITIAL DESIGN	2024/08/22



RECOMMENDED
STRIP LENGTHS



MECHANICAL DATA
 DURABILITY : 500 CYCLES
 TEMPERATURE RANGE : -65°C ~ + 165°C

ELECTRICAL DATA
 FREQUENCY RANGE: DC~6GHZ
 IMPEDANCE : 50Ω
 VSWR : 1.5 MAX.
 WORKING VOLTAGE : AC 335V
 WITHSTANDING VOLTAGE : AC 500V
 INSULATION RESISTANCE : 5000 MΩ MIN

TITLE
 SMP(F) ra. solder type for .047" cable

05	RING	Be.Cu	GOLD	1
04	CENTER PIN	Be.Cu	GOLD	1
03	BODY	Be.Cu	GOLD	1
02	INSULATOR	TEFLON	NONE	1
01	PRESS COVER	BRASS	GOLD	1
NO	DESCRIPTION	MATERIAL	FINISH	Q'TY

DWG NO.	C60BA3F047001A	
CUST. P/N:	N/A	
DWG NO:	N/A	
SHEET	1 of 1	Unit: mm

GENERAL TOLERANCES		DRAWN BY: Kelly		2024/08/22
.X	±0.2	CHK'D BY: Eileen		2024/08/22
.XX	±0.2			REV.
.XXX	±0.2			DA2408220006
ANGLES	N/A			