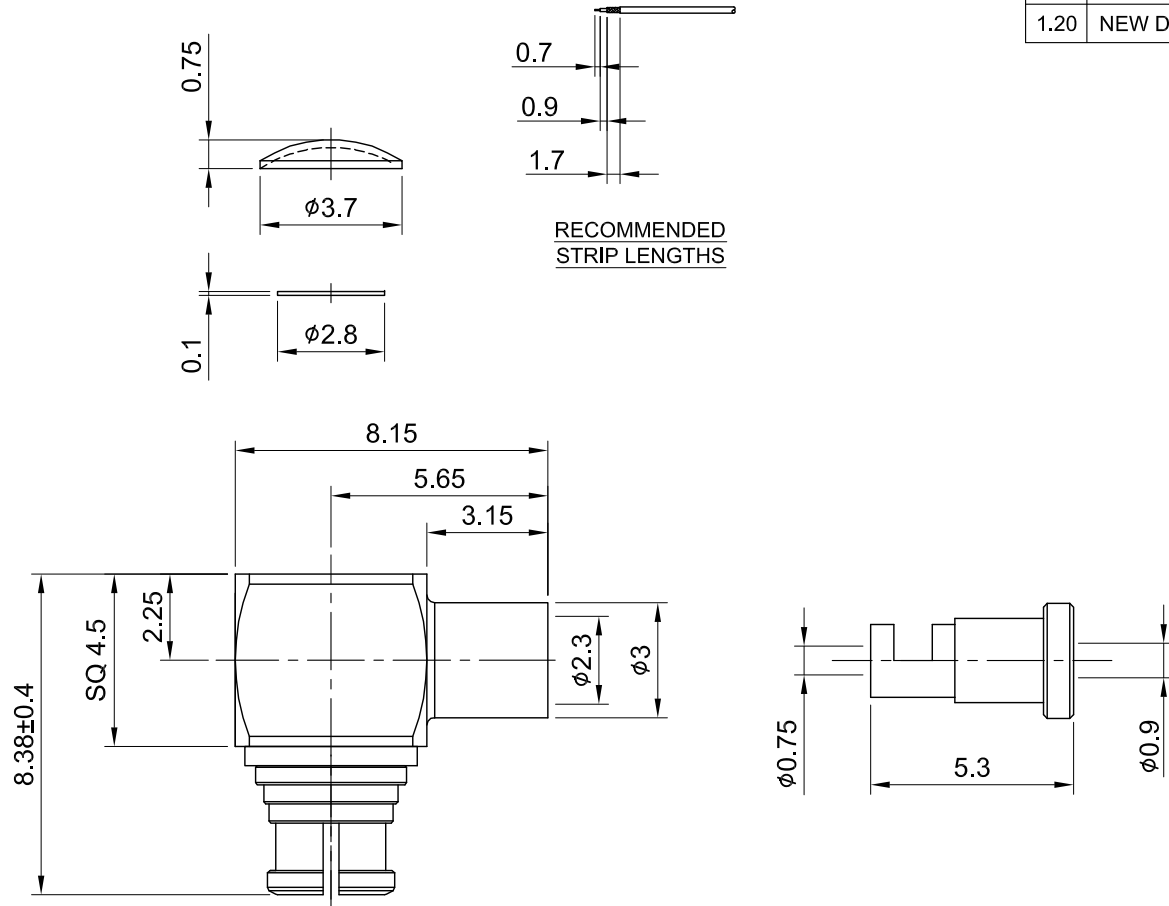


REV	DESCRIPTION	DATE
1.10	BODY LENGTHENING	2021/01/07
1.20	NEW DRAWING FRAME	2024/08/14



MECHANICAL DATA
 DURABILITY : 500 CYCLES
 TEMPERATURE RANGE : -40°C ~ + 85°C

ELECTRICAL DATA
 FREQUENCY RANGE: DC~6GHz
 IMPEDANCE : 50Ω
 VSWR : 1.5 MAX.
 WORKING VOLTAGE : AC 335V
 WITHSTANDING VOLTAGE : AC 500V
 INSULATION RESISTANCE : 5000 MΩ MIN

08	FERRULE	BRASS	GOLD	1	TITLE SMP(F) ra.crimp type for 0.81 cable	
07	INSULATOR	TEFLON	NONE	1		
06	ROCK RING	Be.Cu	GOLD	1		
05	CENTER PIN	Be.Cu	GOLD	1	DWG NO. C60BA3F081001A	
04	BODY B	Be.Cu	GOLD	1	CUST. P/N: N/A DWG NO: N/A	
03	BODY A	BRASS	GOLD	1		
02	INSULATOR COVER	POM	NONE	1		
01	BODY	BRASS	GOLD	1	SHEET 1 of 1 Unit: mm	
NO	DESCRIPTION	MATERIAL	FINISH	Q'TY		
					GENERAL TOLERANCES .X ±0.2 .XX ±0.2 .XXX ±0.2 ANGLES N/A	
					DRAWN BY: Kelly 2024/08/14 CHK'D BY: Eileen 2024/08/14 DA2408140006	
					REV. 1.20	



DA2408140006	REV. 1.20
--------------	-----------