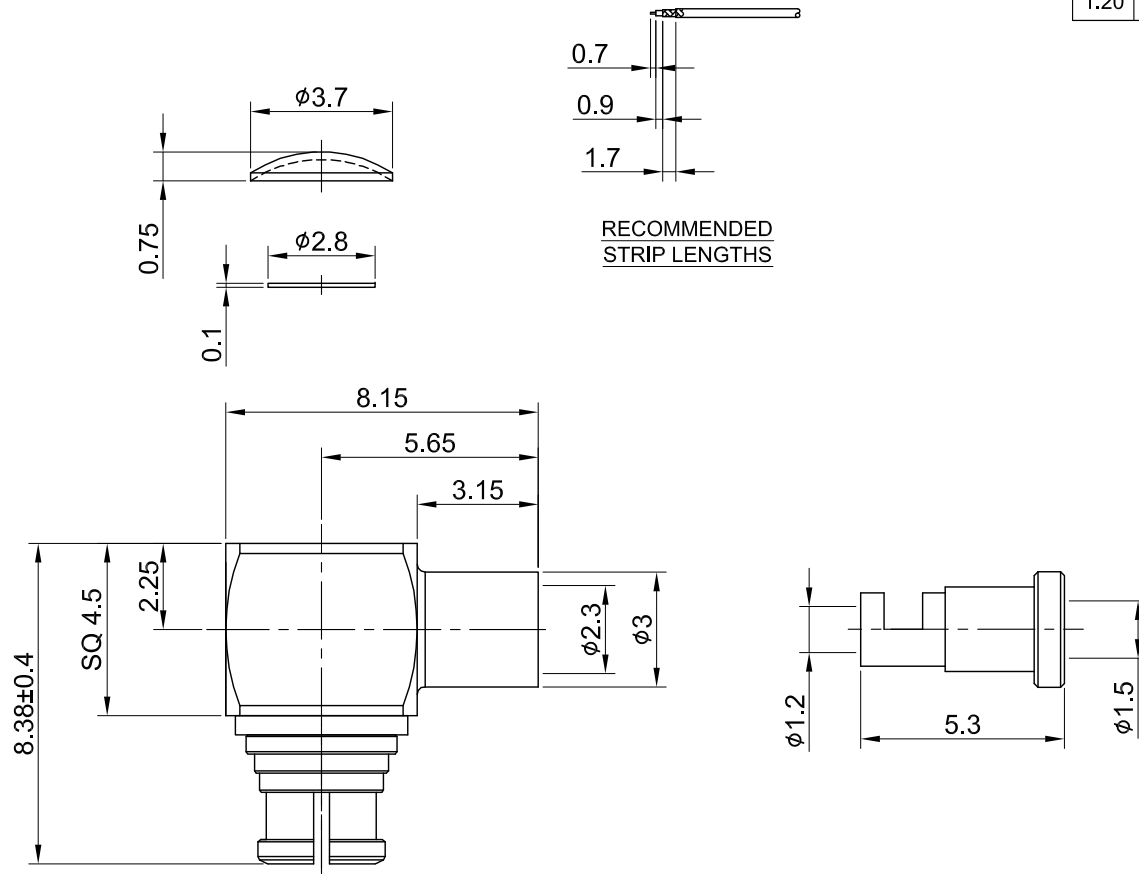


REV	DESCRIPTION	DATE
1.10	BODY LENGTHENING	2021/01/07
1.20	NEW DRAWING FRAME	2024/03/21



RECOMMENDED STRIP LENGTHS

MECHANICAL DATA  
 DURABILITY : 500 CYCLES  
 TEMPERATURE RANGE : -40°C ~ + 85°C

ELECTRICAL DATA  
 FREQUENCY RANGE: DC~6GHz  
 IMPEDANCE : 50Ω  
 VSWR : 1.5 MAX.  
 WORKING VOLTAGE : AC 335V  
 WITHSTANDING VOLTAGE : AC 500V  
 INSULATION RESISTANCE : 5000 MΩ MIN

08	FERRULE	BRASS	GOLD	1	TITLE SMP(F) ra. crimp type for 1.32 cable		
07	INSULATOR	TEFLON	NONE	1			
06	ROCK RING	Be.Cu	GOLD	1			
05	CENTER PIN	Be.Cu	GOLD	1	DWG NO. C60BA3F132001A		
04	COVER	BRASS	GOLD	1	CUST. P/N: N/A DWG NO: N/A		
03	CUBE BODY	BRASS	GOLD	1			
02	INSULATOR COVER	POM	NONE	1			
01	BODY	Be.Cu	GOLD	1	GENERAL TOLERANCES .X ±0.2 .XX ±0.2 .XXX ±0.2 ANGLES N/A		
NO	DESCRIPTION	MATERIAL	FINISH	Q'TY			SHEET 1 of 1
						DRAWN BY: Kelly 2024/03/21 CHK'D BY: Dora 2024/03/21  REV. 1.20 DA2402050061	

