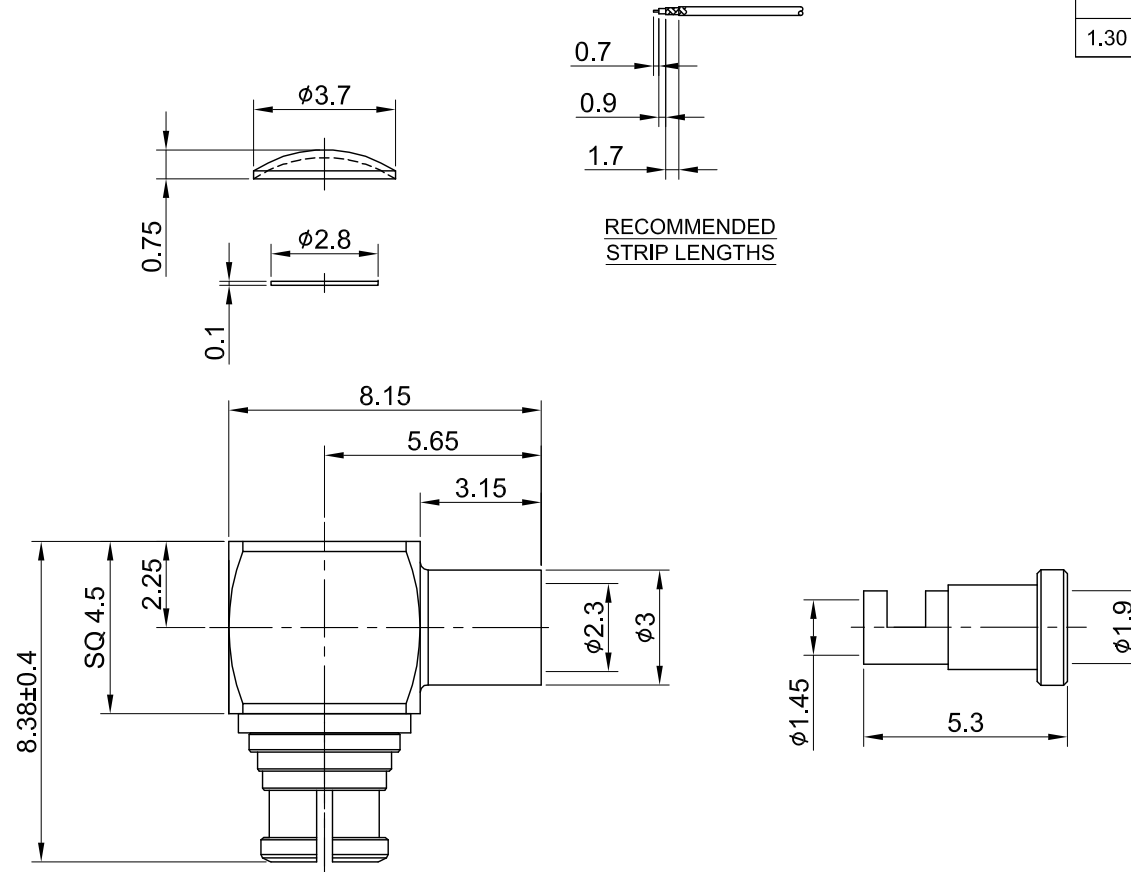


REV	DESCRIPTION	DATE
1.20	CHG 3.15/ 5.65/ 8.15/ 0.9/ 1.7 w. 2.8/ 5.3/ 7.8/0.7/ 2.7	2022/06/17
1.30	NEW DRAWING FRAME	2024/03/21



MECHANICAL DATA
 DURABILITY : 500 CYCLES
 TEMPERATURE RANGE : -40°C ~ + 85°C

ELECTRICAL DATA
 FREQUENCY RANGE: DC~6GHz
 IMPEDANCE : 50Ω
 VSWR : 1.5 MAX.
 WORKING VOLTAGE : AC 335V
 WITHSTANDING VOLTAGE : AC 500V
 INSULATION RESISTANCE : 5000 MΩ MIN

08	FERRULE	BRASS	GOLD	1	TITLE SMP(F) ra. crimp type for RG178																	
07	INSULATOR	TEFLON	NONE	1																		
06	ROCK RING	Be.Cu	GOLD	1																		
05	CENTER PIN	Be.Cu	GOLD	1	DWG NO. C60BA3F178001A																	
04	COVER	BRASS	GOLD	1																		
03	CUBE BODY	BRASS	GOLD	1	CUST. P/N: N/A DWG NO: N/A																	
02	INSULATOR COVER	POM	NONE	1																		
01	BODY	Be.Cu	GOLD	1	<table border="0"> <tr> <td>GENERAL TOLERANCES</td> <td>DRAWN BY: Kelly</td> <td>2024/03/21</td> </tr> <tr> <td>.X ±0.2</td> <td>CHK'D BY: Dora</td> <td>2024/03/21</td> </tr> <tr> <td>.XX ±0.2</td> <td></td> <td></td> </tr> <tr> <td>.XXX ±0.2</td> <td></td> <td></td> </tr> <tr> <td>ANGLES N/A</td> <td></td> <td></td> </tr> </table>			GENERAL TOLERANCES	DRAWN BY: Kelly	2024/03/21	.X ±0.2	CHK'D BY: Dora	2024/03/21	.XX ±0.2			.XXX ±0.2			ANGLES N/A		
GENERAL TOLERANCES	DRAWN BY: Kelly	2024/03/21																				
.X ±0.2	CHK'D BY: Dora	2024/03/21																				
.XX ±0.2																						
.XXX ±0.2																						
ANGLES N/A																						
NO	DESCRIPTION	MATERIAL	FINISH	Q'TY	SHEET 1 of 1	Unit: mm	 DA2402050056	REV. 1.30														