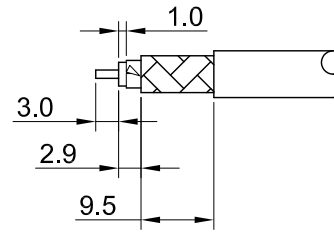
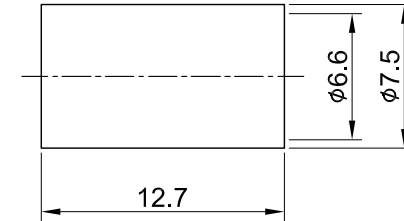
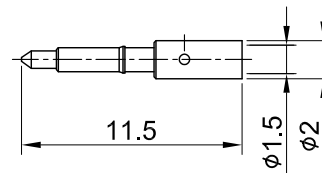
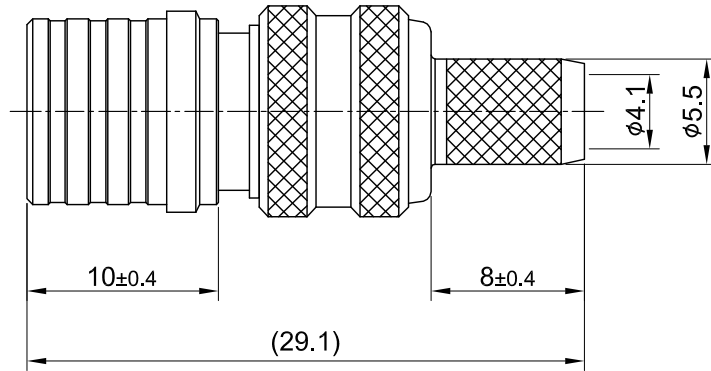


REV	DESCRIPTION	DATE
2.10	UPDATE RECOMMENDED CABLE STRIPPING DIM	2023/03/21
2.20	NEW DRAWING FRAME	2023/11/20



RECOMMENDED STRIP LENGTHS



MECHANICAL DATA  
TEMPERATURE RANGE : -65°C ~ + 165°C

ELECTRICAL DATA  
FREQUENCY RANGE: DC~6GHz  
IMPEDANCE : 50Ω  
VSWR : 1.5 MAX.  
WORKING VOLTAGE : AC480V  
WITHSTANDING VOLTAGE : AC 1000V  
INSULATION RESISTANCE : 5000 MΩ MIN

09	O RING	SILICONE RUBBER	RED	1
08	FERRULE	BRASS	NICKEL	1
07	CENTER PIN	BRASS	GOLD	1
06	CABLE BODY	BRASS	NICKEL	1
05	BODY	BRASS	NICKEL	1
04	INSULATOR	TEFLON	NONE	1
03	PRESS BODY	BRASS	NICKEL	1
02	BODY	BRASS	NICKEL	1
01	SHELL	BRASS	NICKEL	1
NO	DESCRIPTION	MATERIAL	FINISH	Q'TY

TITLE		QMA(M) st. for LMR240	
DWG NO.		C61CA3FL24005	
CUST. P/N: N/A		DRAWN BY: Kelly 2023/11/20	
DWG NO: N/A		CHK'D BY: Chili 2023/11/20	
SHEET 1 of 1		Unit: mm	
GENERAL TOLERANCES			
.X ±0.2			
.XX ±0.2			
.XXX ±0.2			
ANGLES N/A		DA2311200001	
		REV. 2.20	