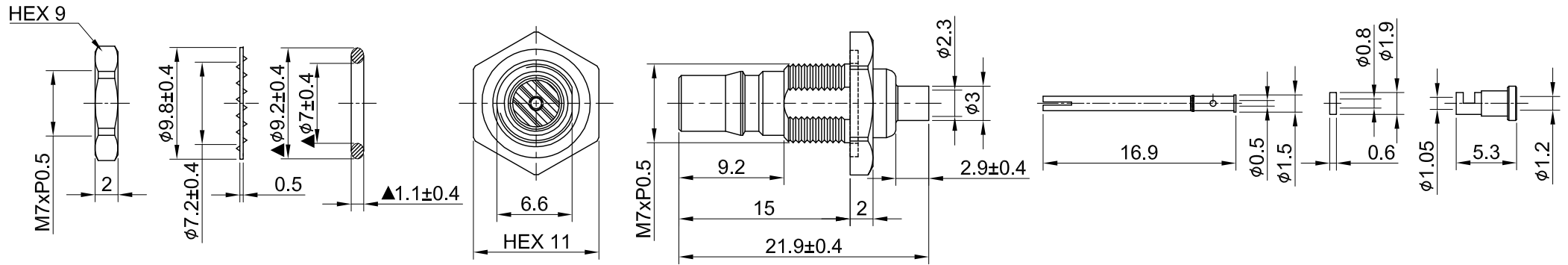
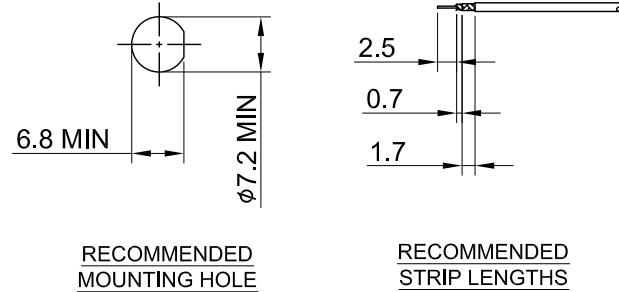


REV	DESCRIPTION	DATE
2.00	UPDATE FERRULE DESIGN, CHG $\phi 1.05/1.7$ W. $\phi 1.0/2.6$	2020/11/05
2.10	NEW DRAWING FRAME	2023/11/28
3.00	CHG $\phi 9.2/\phi 7/1.1$ W. $\phi 9/\phi 7.4/1$	2024/03/07



MECHANICAL DATA
 DURABILITY : 100 CYCLES
 TEMPERATURE RANGE : -65°C ~ + 165°C

ELECTRICAL DATA
 FREQUENCY RANGE: DC~6GHZ
 IMPEDANCE : 50Ω
 VSWR : 1.3 MAX.
 WORKING VOLTAGE : AC 500V
 WITHSTANDING VOLTAGE : AC 1000V
 INSULATION RESISTANCE : 5000 MΩ MIN

09	NUT	BRASS	NICKEL	1
08	LOCK WASHER	STEEL	NICKEL	1
07	O RING	SILICONE RUBBER	RED	1
06	FERRULE	BRASS	GOLD	1
05	INSULATOR GASKET	TEFLON	NONE	1
04	CENTER PIN	P.BRONZE	GOLD	1
03	CABLE BODY	BRASS	NICKEL	1
02	BODY	BRASS	NICKEL	1
01	INSULATOR	TEFLON	NONE	1
NO	DESCRIPTION	MATERIAL	FINISH	Q'TY

TITLE		DRAWN BY: Kelly		2024/03/07
QMA(F) bh. wOring for 1.13mm cable		CHK'D BY: Eileen		2024/03/07
DWG NO. C62CD3F113002A		REV.		
CUST. P/N: N/A		DA2403070006		3.00
DWG NO: N/A		Unit: mm		



GENERAL TOLERANCES		DRAWN BY: Kelly		2024/03/07
.X	±0.2	CHK'D BY: Eileen		2024/03/07
.XX	±0.2	REV.		
.XXX	±0.2	DA2403070006		3.00
ANGLES	N/A			