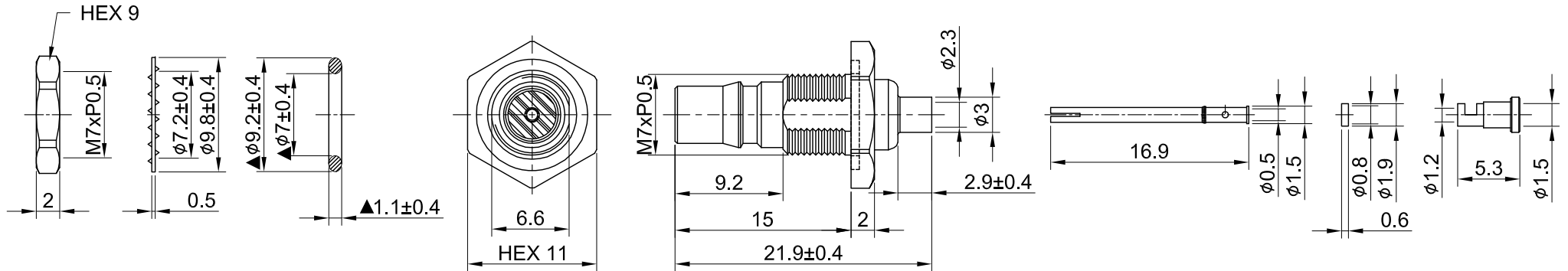
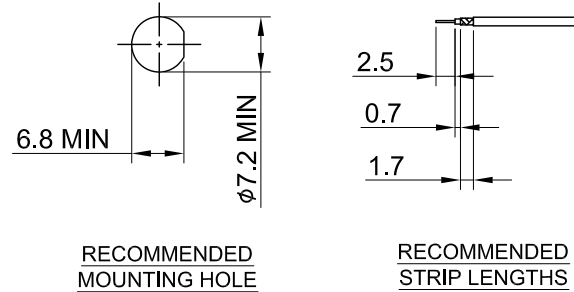


REV	DESCRIPTION	DATE
1.20	CHG FERRULE DESIGN, 1.7/φ1.5 W. 2.6/φ1.4	2020/11/09
1.30	NEW DRAWING FRAME	2023/11/28
2.00	CHG φ9.2/φ7/1.1 W. φ9/φ7.4/1	2024/03/07



MECHANICAL DATA
 DURABILITY : 100 CYCLES
 TEMPERATURE RANGE : -65°C ~ + 165°C

ELECTRICAL DATA
 FREQUENCY RANGE: DC~6GHz
 IMPEDANCE : 50Ω
 VSWR : 1.3 MAX.
 WORKING VOLTAGE : AC 500V
 WITHSTANDING VOLTAGE : AC 1000V
 INSULATION RESISTANCE : 5000 MΩ MIN

09	NUT	BRASS	NICKEL	1
08	LOCK WASHER	STEEL	NICKEL	1
07	O RING	SILICONE RUBBER	RED	1
06	FERRULE	BRASS	GOLD	1
05	INSULATOR B	TEFLON	NONE	1
04	CENTER PIN	P.BRONZE	GOLD	1
03	BODY B	BRASS	NICKEL	1
02	BODY A	BRASS	NICKEL	1
01	INSULATOR A	TEFLON	NONE	1
NO	DESCRIPTION	MATERIAL	FINISH	Q'TY

TITLE		DRAWN BY: Kelly		2024/03/07
QMA(F)st.bh.w/o-ring crimp for 1.32/1.32DS		CHK'D BY: Eileen		2024/03/07
DWG NO. C62CD3F132002A		REV.		2.00
CUST. P/N: N/A DWG NO: N/A		DA2403070012		
SHEET 1 of 1		Unit: mm		