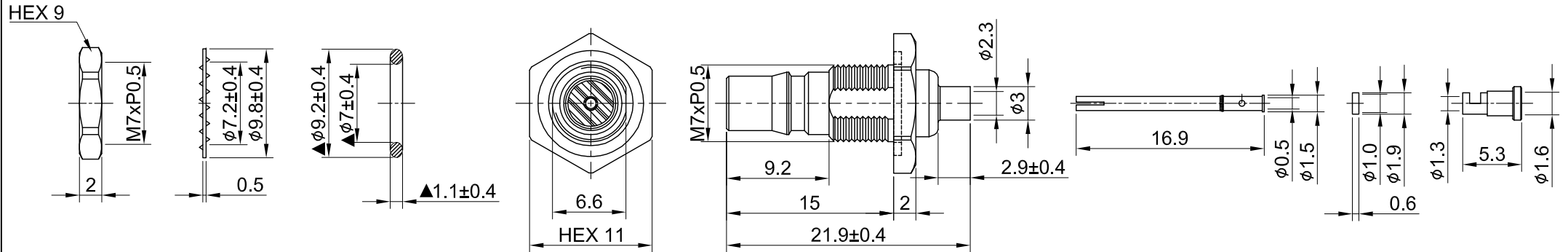
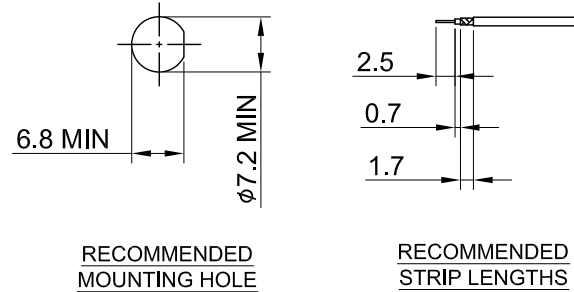


| REV | DESCRIPTION | DATE |
|------|--|------------|
| 3.10 | CHG FERRULE DESIGN, 1.7/φ1.6 W. 2.6/φ1.5 | 2020/11/09 |
| 3.20 | NEW DRAWING FRAME | 2023/11/27 |
| 4.00 | CHG φ9.2/φ7/1.1 W. φ9/φ7.4/1 | 2024/03/07 |



MECHANICAL DATA
 DURABILITY : 100 CYCLES
 TEMPERATURE RANGE : -65°C ~ + 165°C

ELECTRICAL DATA
 FREQUENCY RANGE: DC~6GHz
 IMPEDANCE : 50Ω
 VSWR : 1.3 MAX.
 WORKING VOLTAGE : AC 500V
 WITHSTANDING VOLTAGE : AC 1000V
 INSULATION RESISTANCE : 5000 MΩ MIN

| | | | | |
|----|-------------|-----------------|--------|------|
| 09 | NUT | BRASS | NICKEL | 1 |
| 08 | LOCK WASHER | STEEL | NICKEL | 1 |
| 07 | O RING | SILICONE RUBBER | RED | 1 |
| 06 | FERRULE | BRASS | GOLD | 1 |
| 05 | INSULATOR B | TEFLON | NONE | 1 |
| 04 | CENTER PIN | P.BRONZE | GOLD | 1 |
| 03 | BODY B | BRASS | NICKEL | 1 |
| 02 | BODY A | BRASS | NICKEL | 1 |
| 01 | INSULATOR A | TEFLON | NONE | 1 |
| NO | DESCRIPTION | MATERIAL | FINISH | Q'TY |

| TITLE | | DRAWN BY: Kelly | | 2024/03/07 |
|------------------------------------|--|------------------|--|------------|
| QMA(F) bh. wOring for 1.37mm cable | | CHK'D BY: Eileen | | 2024/03/07 |
| DWG NO. C62CD3F137002A | | REV. | | 4.00 |
| CUST. P/N: N/A | | DA2403070007 | | |
| DWG NO: N/A | | | | |
| SHEET 1 of 1 | | Unit: mm | | |



| GENERAL TOLERANCES | | DRAWN BY: Kelly | | 2024/03/07 |
|--------------------|------|------------------|--|------------|
| .X | ±0.2 | CHK'D BY: Eileen | | 2024/03/07 |
| .XX | ±0.2 | REV. | | 4.00 |
| .XXX | ±0.2 | | | |
| ANGLES | N/A | | | |