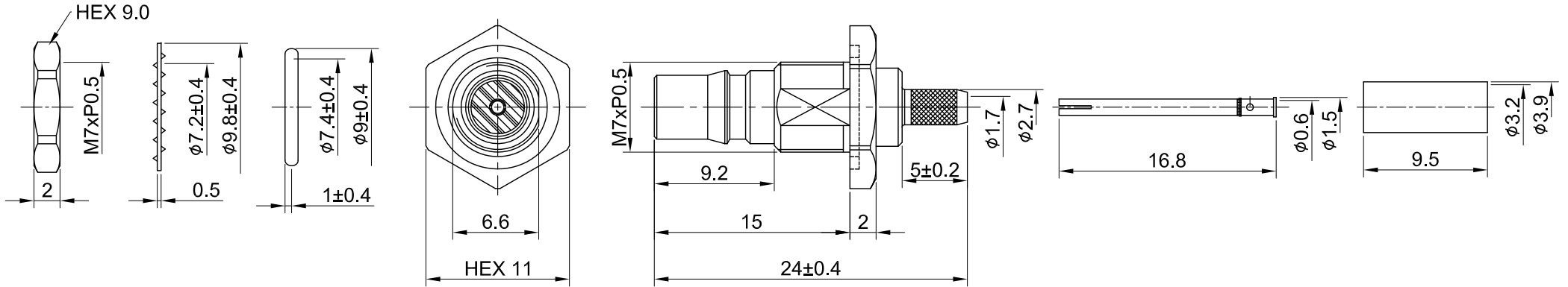
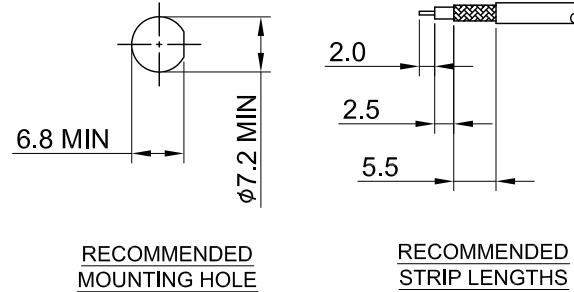


REV	DESCRIPTION	DATE
1.20	NEW DRAWING FRAME	2023/09/05
1.21	CORRECT INSULATION RESISTANCE UNIT	2024/03/15



MECHANICAL DATA  
 DURABILITY : 100 CYCLES  
 TEMPERATURE RANGE : -65°C ~ + 165°C

ELECTRICAL DATA  
 FREQUENCY RANGE: DC~6GHz  
 IMPEDANCE : 50Ω  
 VSWR : DC~3GHz : 1.3 MAX.  
 3.01~6GHz : 1.5 MAX.  
 WORKING VOLTAGE : AC 500V  
 WITHSTANDING VOLTAGE : AC 1000V  
 INSULATION RESISTANCE : 5000 MΩ MIN

08	NUT	BRASS	NICKEL	1	TITLE QMA(F)st.bh.wOring, crimp for RG174/RG316																	
07	WASHER	STEEL	NICKEL	1																		
06	O RING	SILICONE RUBBER	RED	1	DWG NO. C62CD3F174002																	
05	FERRULE	BRASS	NICKEL	1																		
04	CENTER PIN	P.BRONZE	GOLD	1	CUST. P/N: N/A DWG NO: N/A																	
03	BODY B	BRASS	NICKEL	1																		
02	BODY A	BRASS	NICKEL	1	<table border="0"> <tr> <td>GENERAL TOLERANCES</td> <td>DRAWN BY: Kelly</td> <td>2024/03/15</td> </tr> <tr> <td>.X ±0.2</td> <td>CHK'D BY: Dora</td> <td>2024/03/15</td> </tr> <tr> <td>.XX ±0.2</td> <td></td> <td></td> </tr> <tr> <td>.XXX ±0.2</td> <td></td> <td></td> </tr> <tr> <td>ANGLES N/A</td> <td></td> <td></td> </tr> </table>			GENERAL TOLERANCES	DRAWN BY: Kelly	2024/03/15	.X ±0.2	CHK'D BY: Dora	2024/03/15	.XX ±0.2			.XXX ±0.2			ANGLES N/A		
GENERAL TOLERANCES	DRAWN BY: Kelly	2024/03/15																				
.X ±0.2	CHK'D BY: Dora	2024/03/15																				
.XX ±0.2																						
.XXX ±0.2																						
ANGLES N/A																						
01	INSULATOR	TEFLON	NONE	1																		
NO	DESCRIPTION	MATERIAL	FINISH	Q'TY	SHEET 1 of 1	Unit: mm	 DA2401220012	REV. 1.21														