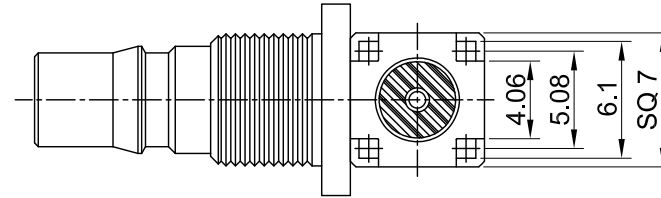
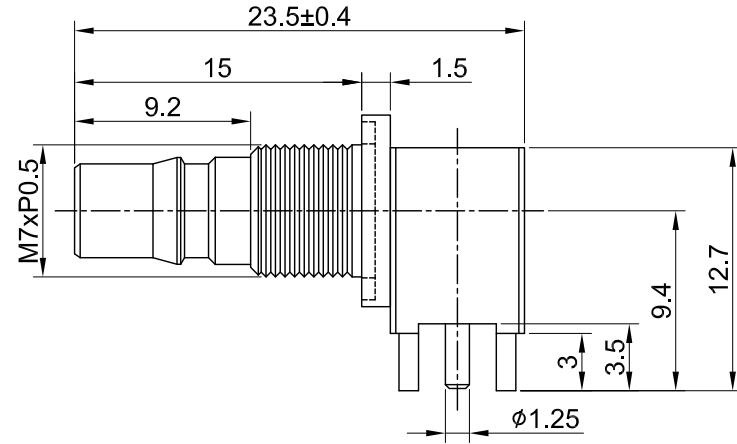
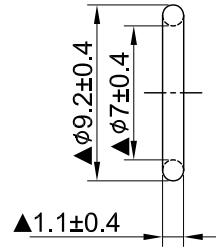
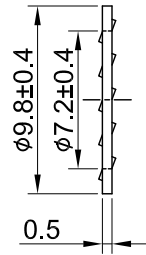
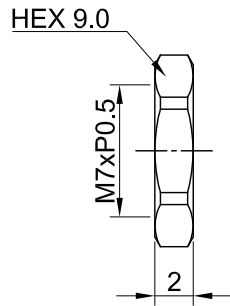
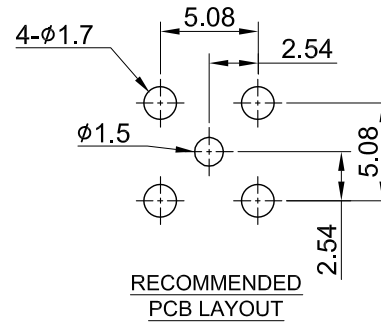


REV	DESCRIPTION	DATE
1.00	INITIAL DESIGN	2017/05/10
2.00	CHG 9.2/7/1.1 W. 9/7.4/1	2024/09/10



MECHANICAL DATA  
 DURABILITY : 100 CYCLES  
 TEMPERATURE RANGE : -65°C ~ + 165°C

ELECTRICAL DATA  
 FREQUENCY RANGE: DC~6GHz  
 IMPEDANCE : 50Ω  
 VSWR : 1.5 MAX.  
 WORKING VOLTAGE : AC 500V  
 WITHSTANDING VOLTAGE : AC 1000V  
 INSULATION RESISTANCE : 5000 MΩ MIN

08	NUT	BRASS	NICKEL	1
07	WASHER	STEEL	NICKEL	1
06	O RING	SILICONE RUBBER	RED	1
05	BODY B	BRASS	NICKEL	1
04	INSULATOR B	TEFLON	NONE	1
03	CENTER PIN	P.BRONZE	GOLD	1
02	INSULATOR AR	TEFLON	NONE	1
01	BODY	BRASS	NICKEL	1
NO	DESCRIPTION	MATERIAL	FINISH	Q'TY

TITLE		DRAWN BY: Kelly		2024/09/10
QMA(F) ra. bulkhead wOring, PCB type, Nickel		CHK'D BY: Chilli		2024/09/10
DWG NO. C62ON3F07		REV.		2.00
CUST. P/N: N/A		DA2409100023		
DWG NO: N/A		Unit: mm		
SHEET 1 of 1		GENERAL TOLERANCES		
		.X ±0.2		
		.XX ±0.2		
		.XXX ±0.2		
		ANGLES N/A		

