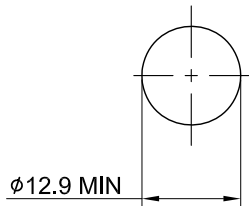
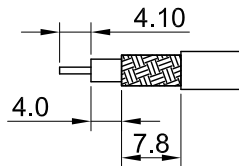


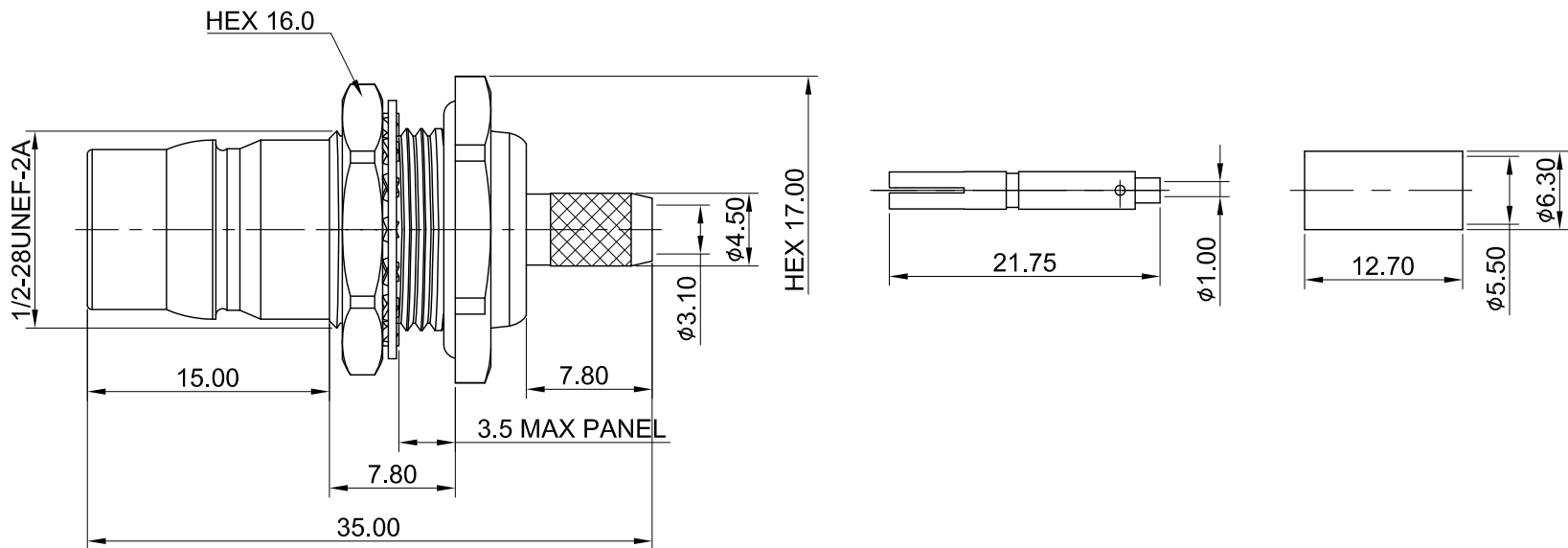
REV	DESCRIPTION	DATE
1.10	ADD MAX PANEL AND THREAD GAUGE	2019/10/08
1.20	NEW DRAWING FRAME	2024/08/26



RECOMMENDED MOUNTING HOLE



RECOMMENDED STRIP LENGTHS



MECHANICAL DATA  
 DURABILITY : 100 CYCLES  
 TEMPERATURE RANGE : -65°C ~ + 165°C

ELECTRICAL DATA  
 FREQUENCY RANGE: DC~3GHz  
 IMPEDANCE : 50Ω  
 VSWR : DC~2.0 GHz : 1.5 MAX.  
 2.1~3.0 GHz : 1.7 MAX.  
 WORKING VOLTAGE : AC 1000V  
 WITHSTANDING VOLTAGE : AC 2500V  
 INSULATION RESISTANCE : 5000 MΩ MIN

08	FERRULE	BRASS	NICKEL	1	TITLE QN(F) st. bh. w.oring crimp type for RG58 cable			
07	CENTER PIN	P.BRONZE	GOLD	1				
06	CABLE HOLDER	BRASS	CuSnZn	1	DWG NO. C0KID3Y058A01		DRAWN BY: Kelly 2024/08/26	
05	INSULATOR	TEFLON	NONE	1			CHK'D BY: Eileen 2024/08/26	
04	BODY	BRASS	CuSnZn	1	CUST. P/N: N/A DWG NO: N/A		 REV.	
03	O RING	SILICONE RUBBER	RED	1			DA2408260003	
02	WASHER	FE	NICKEL	1	SHEET 1 of 1 Unit: mm			
01	NUT	BRASS	NICKEL	1				
NO	DESCRIPTION	MATERIAL	FINISH	Q'TY				