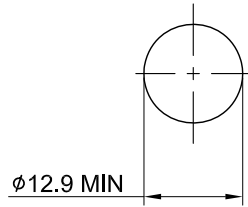
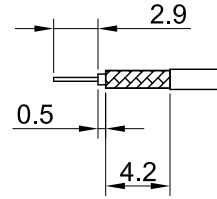


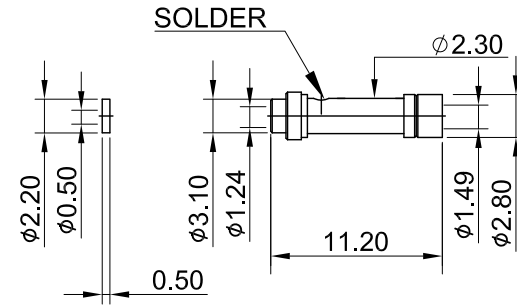
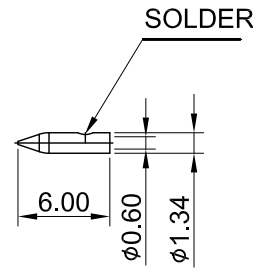
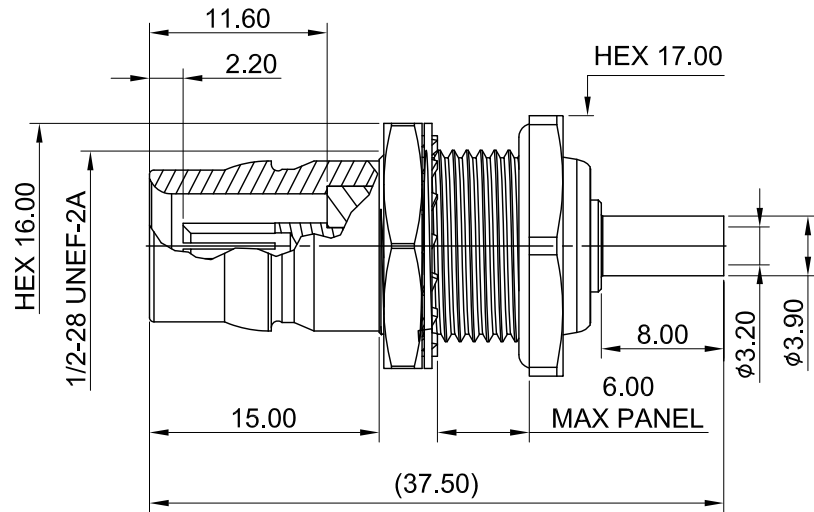
REV	DESCRIPTION	DATE
1.00	INITIAL DESIGN	2020/04/14
1.10	NEW DRAWING FRAME	2024/08/26



RECOMMENDED MOUNTING HOLE



RECOMMENDED STRIP LENGTHS



MECHANICAL DATA
 DURABILITY : 100 CYCLES
 TEMPERATURE RANGE : -65°C ~ + 165°C

ELECTRICAL DATA
 FREQUENCY RANGE: DC~9GHz
 IMPEDANCE : 50Ω
 VSWR : DC~6.0 GHz : 1.5 MAX.
 6.1~9.0 GHz : 1.6 MAX.
 WORKING VOLTAGE : AC 1000V
 WITHSTANDING VOLTAGE : AC 2500V
 INSULATION RESISTANCE : 5000 MΩ MIN

10	REDUCER	BRASS	CuSnZn	1
09	INSULATOR B	PTFE	NONE	1
08	CABLE GUIDE	BRASS	GOLD	1
07	CLAMP	BRASS	CuSnZn	1
06	O RING	SILICONE RUBBER	RED	1
05	TOOTH WASHER	FE	NICKEL	1
04	NUT	BRASS	NICKEL	1
03	CENTER PIN	P.BRONZE	GOLD	1
02	INSULATOR A	PTFE	NONE	1
01	BODY	BRASS	CuSnZn	1
NO	DESCRIPTION	MATERIAL	FINISH	Q'TY

TITLE
 QN(F)st.bh.w/o-ring crimp for 1.37 cable, 10.3mm thread

DWG NO.
 C0KID3Y137001-2

CUST.
 P/N: N/A
 DWG NO: N/A

SHEET 1 of 1 Unit: mm



GENERAL TOLERANCES		DRAWN BY: Kelly 2024/08/26	
.X	±0.2	CHK'D BY: Eileen 2024/08/26	REV. 1.10
.XX	±0.2		
.XXX	±0.2		
ANGLES	N/A		
		DA2408260002	