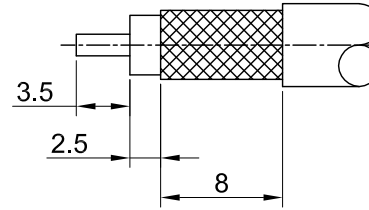
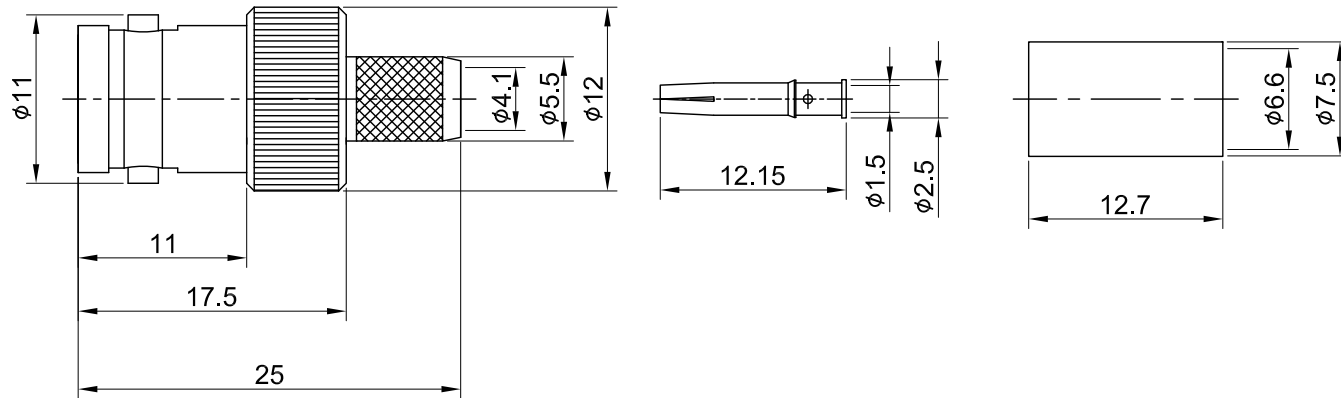


REV	DESCRIPTION	DATE
1.00	INITIAL DESIGN	2023/07/13
1.01	CORRECT INSULATION RESISTANCE UNIT	2024/04/03



RECOMMENDED STRIP LENGTHS



MECHANICAL DATA
 DURABILITY : 100 CYCLES
 TEMPERATURE RANGE : -65°C ~ + 165°C

ELECTRICAL DATA
 FREQUENCY RANGE: DC~4GHz
 IMPEDANCE : 50Ω
 VSWR : 1.5 MAX.
 WORKING VOLTAGE : AC 500V
 WITHSTANDING VOLTAGE : AC 1500V
 INSULATION RESISTANCE : 5000 MΩ MIN

TITLE
 BNC(F) st for LMR240/H155 cable

NO	DESCRIPTION	MATERIAL	FINISH	Q'TY
05	FERRULE	BRASS	NICKEL	1
04	CENTER PIN	P.BRONZE	GOLD	1
03	INSULATOR	TEFLON	NONE	1
02	PRESS WASHER	BRASS	NICKEL	1
01	BODY	BRASS	NICKEL	1

DWG NO. C16CA3FL24003B
CUST. P/N: N/A DWG NO: N/A
SHEET 1 of 1 Unit: mm

GENERAL TOLERANCES

.X	±0.2
.XX	±0.2
.XXX	±0.2
ANGLES	N/A

DRAWN BY: Kelly 2024/04/03

CHK'D BY: Dora 2024/04/03

REV. 1.01

DA2403200013