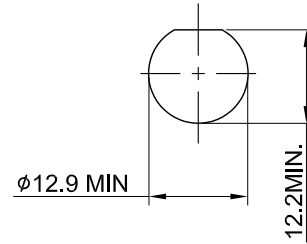
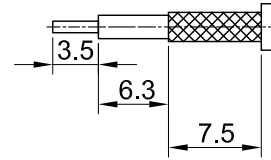


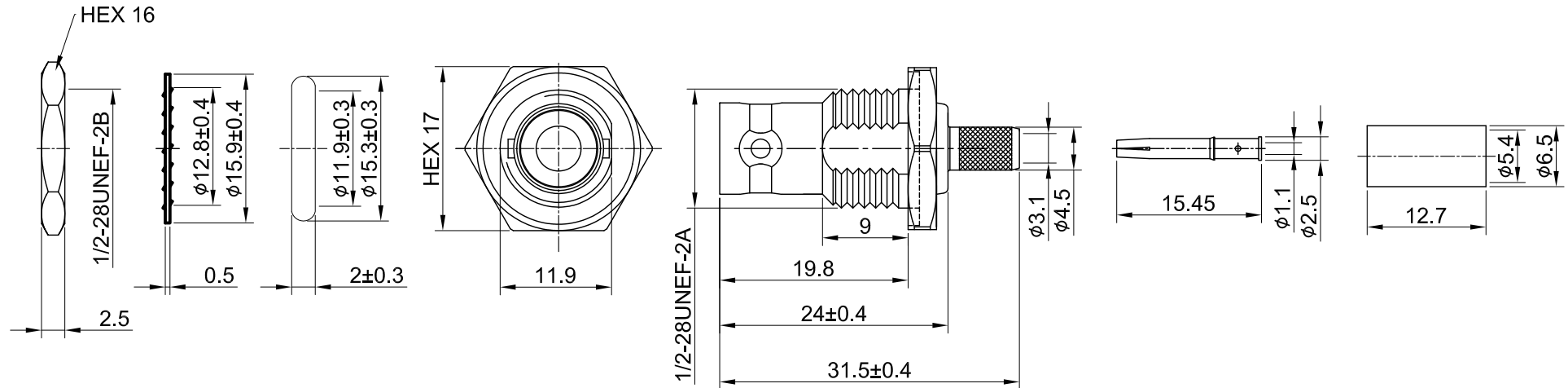
REV	DESCRIPTION	DATE
2.00	UPDATE DRAWINGS	2021/12/15
2.10	NEW DRAWING FRAME	2024/04/02



RECOMMENDED MOUNTING HOLE



RECOMMENDED STRIP LENGTHS



MECHANICAL DATA  
 DURABILITY : 100 CYCLES  
 TEMPERATURE RANGE : -65°C ~ + 165°C

ELECTRICAL DATA  
 FREQUENCY RANGE: DC~4GHz  
 IMPEDANCE : 50Ω  
 VSWR : 1.5 MAX.  
 WORKING VOLTAGE : AC 500V  
 WITHSTANDING VOLTAGE : AC 1500V  
 INSULATION RESISTANCE : 5000 MΩ MIN

08	NUT	BRASS	NICKEL	1	TITLE			
07	WASHER	STEEL	NICKEL	1	BNC(F) st. bh. w/Oring crimp for RG58			
06	O RING	SILICONE RUBBER	BLACK	1	DWG NO.			
05	FERRULE	BRASS	NICKEL	1	C16CD3F058A12B			
04	CENTER PIN	P.BRONZE	GOLD	1	CUST.			
03	CHASSIS	BRASS	NICKEL	1	P/N: N/A		GENERAL TOLERANCES .X ±0.2 .XX ±0.2 .XXX ±0.2 ANGLES N/A	DRAWN BY: Kelly 2024/04/02 CHK'D BY: Dora 2024/04/02
02	INSULATOR	TEFLON	NONE	1	DWG NO: N/A		 REV. 2.10	
01	BODY	BRASS	NICKEL	1	SHEET 1 of 1 Unit: mm			
NO	DESCRIPTION	MATERIAL	FINISH	Q'TY				