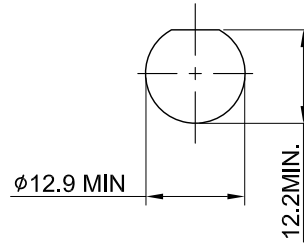
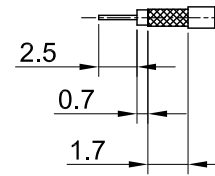


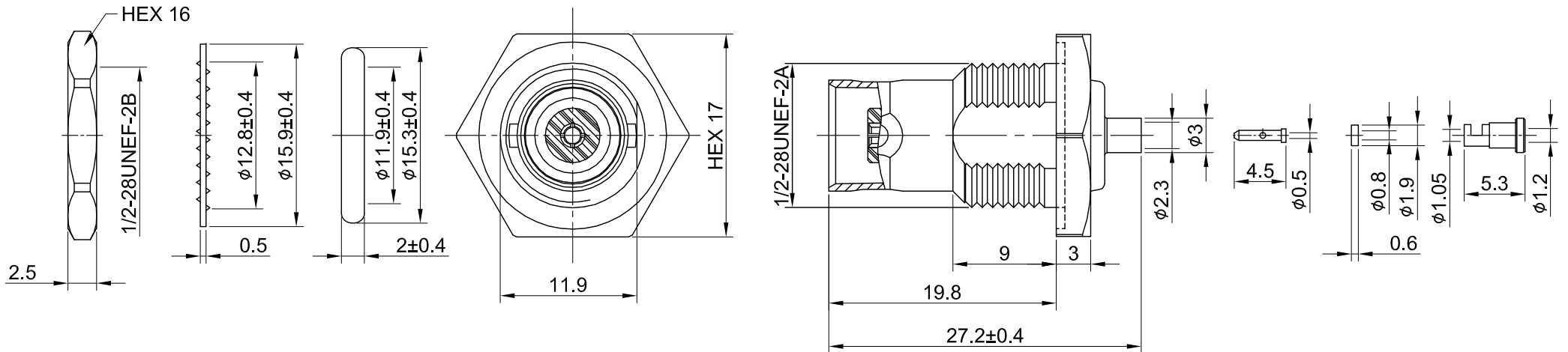
REV	DESCRIPTION	DATE
1.00	INITIAL DESIGN	2019/09/26
2.00	UPDATE DRAWING	2024/04/23



RECOMMENDED MOUNTING HOLE



RECOMMENDED STRIP LENGTHS



MECHANICAL DATA
 DURABILITY : 100 CYCLES
 TEMPERATURE RANGE : -65°C ~ + 165°C

ELECTRICAL DATA
 FREQUENCY RANGE: DC~4GHz
 IMPEDANCE : 50Ω
 VSWR : 1.5 MAX.
 WORKING VOLTAGE : AC 500V
 WITHSTANDING VOLTAGE : AC 1500V
 INSULATION RESISTANCE : 5000 MΩ MIN

10	NUT	BRASS	NICKEL	1
09	LOCK WASHER	BRASS	NICKEL	1
08	O RING	SILICONE RUBBER	BLACK	1
07	FERRULE	BRASS	GOLD	1
06	INSULATOR GASKET	TEFLON	NONE	1
05	BULLET CONTACT	BRASS	GOLD	1
04	CHASSIS	BRASS	NICKEL	1
03	CENTER PIN	P.BRONZE	GOLD	1
02	INSULATOR	TEFLON	NONE	1
01	BODY	BRASS	NICKEL	1
NO	DESCRIPTION	MATERIAL	FINISH	Q'TY

TITLE		DRAWN BY: Kelly		2024/04/23
BNC(F) bh. wOring for 1.13mm cable, pin in pin		CHK'D BY: Chili		2024/04/23
DWG NO. C16CD3F113012J				REV.
CUST. P/N: N/A				2.00
DWG NO: N/A		GENERAL TOLERANCES .X ±0.2 .XX ±0.2 .XXX ±0.2 ANGLES N/A		
SHEET 1 of 1	Unit: mm	DA2404230002		