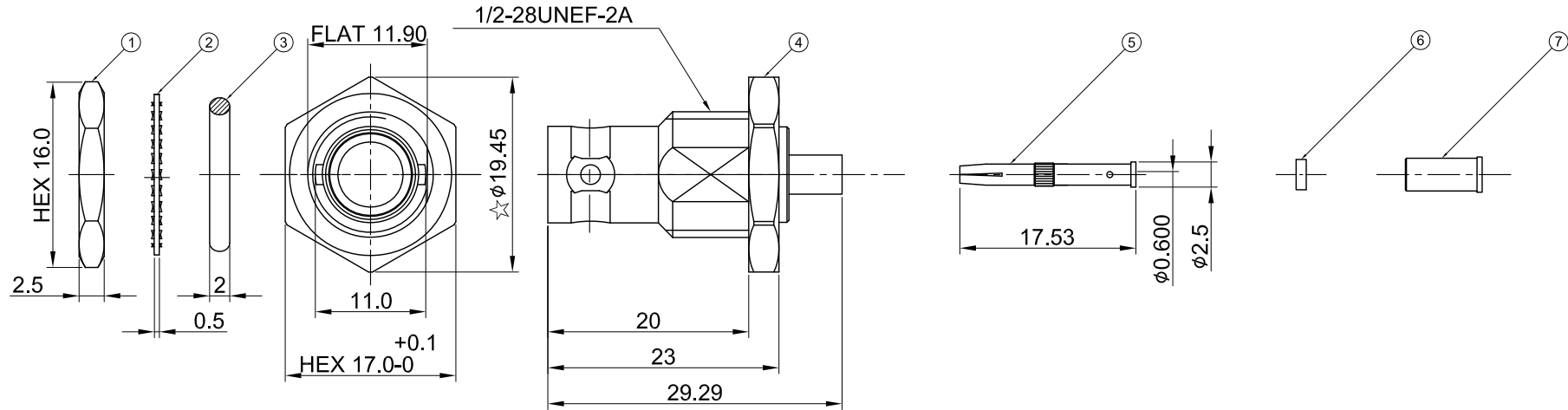
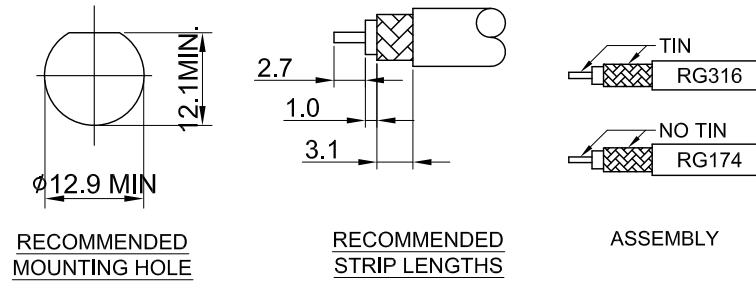


REV	DESCRIPTION	DATE
1.10	INITIAL DESIGN	2023/06/21



MECHANICAL DATA
 DURABILITY : 100 CYCLES
 TEMPERATURE RANGE : -65°C ~ + 165°C

ELECTRICAL DATA
 FREQUENCY RANGE: DC~3GHZ
 IMPEDANCE : 50Ω
 VSWR : 1.35 MAX.

07	SLEEVE	BRASS	NICKEL	1
06	INSULATOR	TEFLON	NONE	1
05	PIN	PHOS BRONZE	GOLD	1
04	BARREL	BRASS	NICKEL	1
	INSULATOR	TEFLON	NONE	1
	BODY	BRASS	NICKEL	1
03	GASKET	SILICONE RUBBER	BLACK	1
02	WASHER	STAINLESS STEEL	NICKEL	1
01	NUT	BRASS	NICKEL	1
NO	DESCRIPTION	MATERIAL	FINISH	Q'TY

TITLE
 BNC(F) bh. wOring for RG174, stainless steel washer

DWG NO.
 C16CDWS174012

CUST.
 P/N: N/A
 DWG NO: N/A

SHEET 1 of 1 Unit: mm



GENERAL TOLERANCES	DRAWN BY: Kelly	2023/06/21
.X ±0.2	CHK'D BY: David	2023/06/21
.XX ±0.2		REV.
.XXX ±0.2		1.10
ANGLES N/A	DA2306210022	