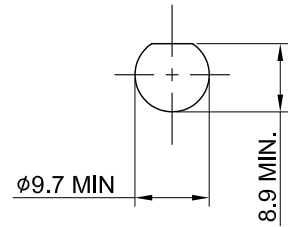
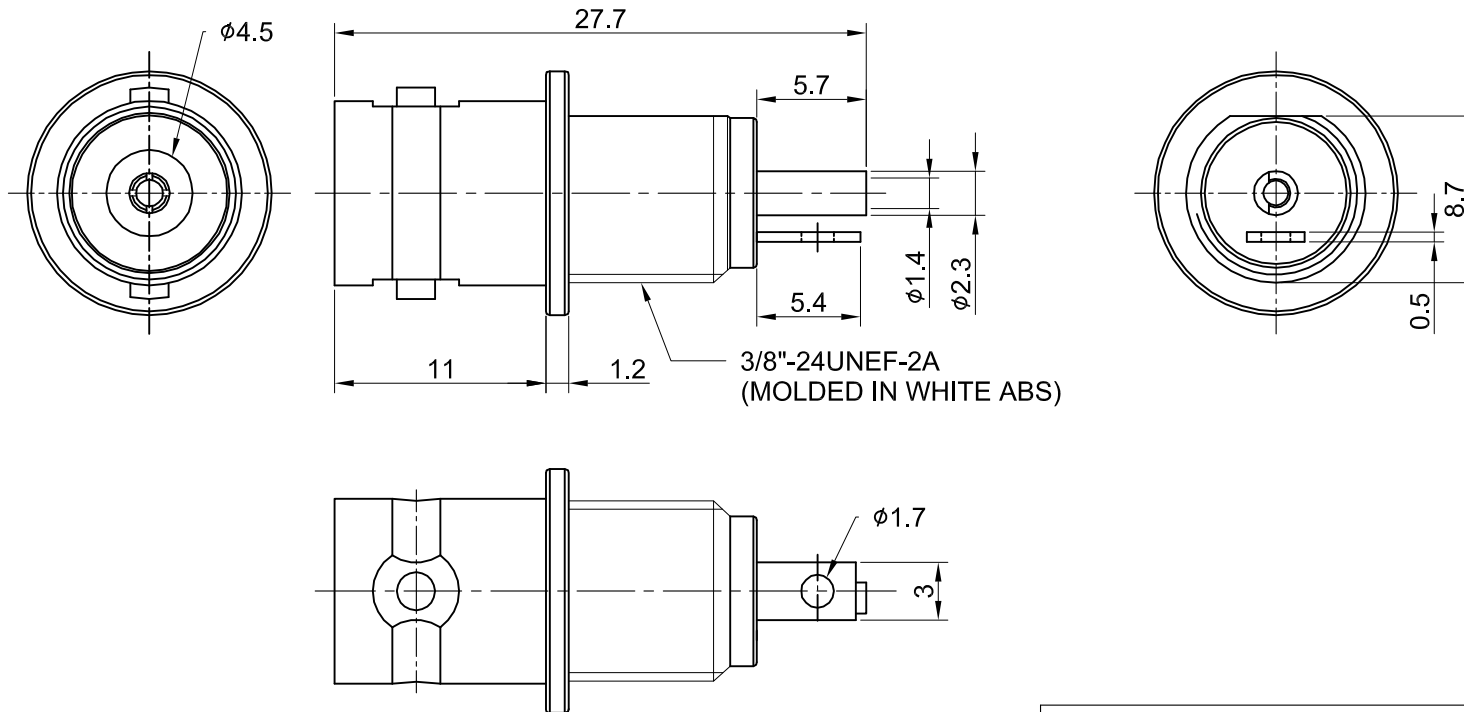


REV	DESCRIPTION	DATE
2.00	UPDATE DRAWING	2019/07/01
2.10	NEW DRAWING FRAME	2023/12/04
2.11	CORRECT TEMPERATURE RANGE	2024/09/30



RECOMMENDED MOUNTING HOLE



MECHANICAL DATA
 DURABILITY : 100 CYCLES
 TEMPERATURE RANGE : -45°C ~ + 65°C

ELECTRICAL DATA
 FREQUENCY RANGE: DC~1GHz
 IMPEDANCE : 50Ω
 VSWR : 1.5 MAX.
 WORKING VOLTAGE : AC 500V
 WITHSTANDING VOLTAGE : AC 1000V
 INSULATION RESISTANCE : 5000 MΩ MIN

TITLE
 BNC(F)st. plastic bh. front mount solder cup isolation type (Brass body), w/o washer, nut

05	SOLDER LUG	BRASS	NICKEL	1
04	INSULATED THREAD	ABS	NONE	1
03	CENTER PIN	BRASS	GOLD	1
02	INSULATOR	ABS	NONE	1
01	BODY	BRASS	NICKEL	1
NO	DESCRIPTION	MATERIAL	FINISH	Q'TY

DWG NO. C16CK3F29-1	
CUST. P/N:	N/A
DWG NO:	N/A
SHEET	1 of 1
Unit:	mm

GENERAL TOLERANCES

.X	±0.2
.XX	±0.2
.XXX	±0.2
ANGLES	N/A

DRAWN BY: Kelly 2024/09/30

CHK'D BY: Chili 2024/09/30

REV. 2.11

DA2409300007