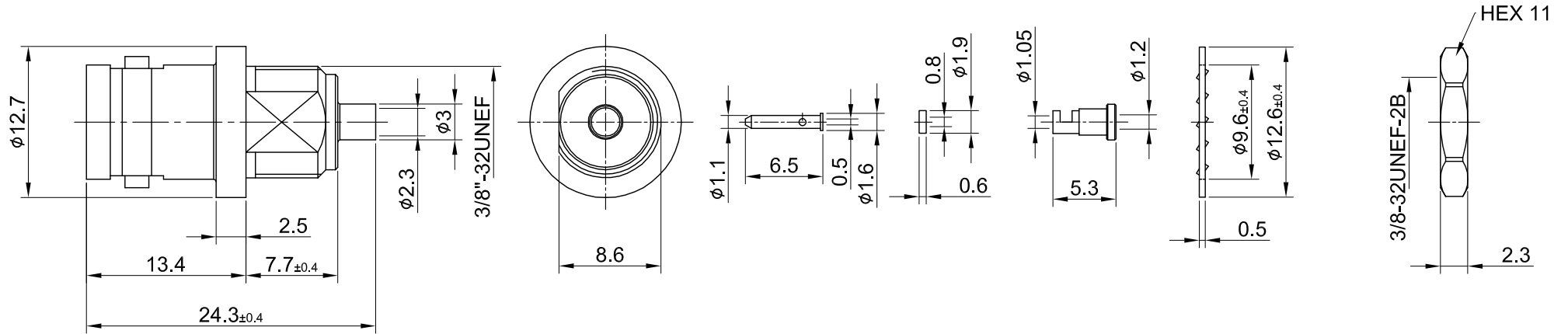
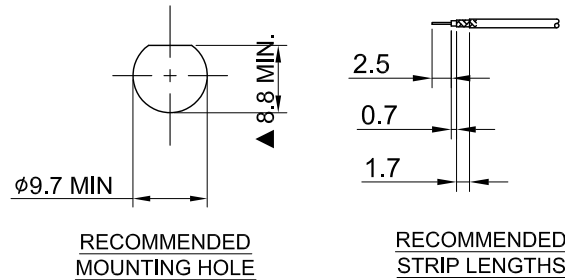


REV	DESCRIPTION	DATE
3.10	NEW DRAWING FRAME	2023/06/13
3.11	CHG 8.8 W. 9.0	2024/04/03



MECHANICAL DATA
TEMPERATURE RANGE : -65°C ~ + 165°C

DIELECTRICAL DATA
FREQUENCY RANGE: DC~4GHz
IMPEDANCE : 50Ω
VSWR : 1.5 MAX.
WORKING VOLTAGE : AC 500V
WITHSTANDING VOLTAGE : AC 1500V
INSULATION RESISTANCE : 5000 MΩ MIN

11	NUT	BRASS	NICKEL	1
10	LOCK WASHER	STEEL	NICKEL	1
09	FERRULE	BRASS	GOLD	1
08	INSULATOR GASKET	TEFLON	NONE	1
07	BULLET CONTACT	BRASS	GOLD	1
06	BODY B	BRASS	NICKEL	1
05	CENTER CONTACT	Be.Cu	GOLD	1
04	INSULATOR B	TEFLON	NONE	1
03	CENTER PIN	P.BRONZE	GOLD	1
02	INSULATOR A	TEFLON	NONE	1
01	BODY A	BRASS	NICKEL	1
NO	DESCRIPTION	MATERIAL	FINISH	Q'TY

TITLE
BNC(F)st bulkhead front mount crimp for 1.13/1.13LL cable

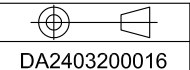
DWG NO.
C16CK3F113014B

CUST.
P/N: N/A
DWG NO: N/A

SHEET 1 of 1 Unit: mm



GENERAL TOLERANCES		DRAWN BY: Kelly 2024/04/03	
.X	±0.2	CHK'D BY: Dora	2024/04/03
.XX	±0.2		
.XXX	±0.2		
ANGLES	N/A		
		REV.	3.11



DA2403200016