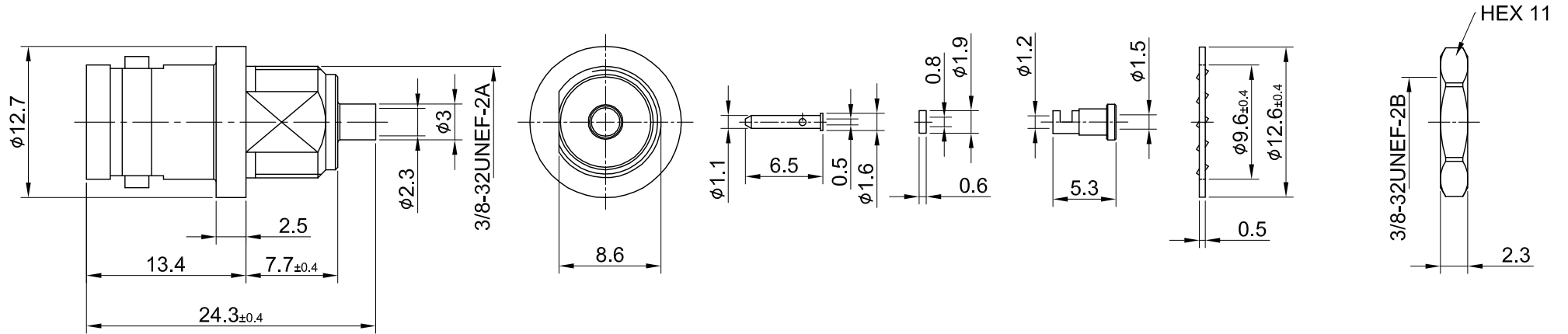
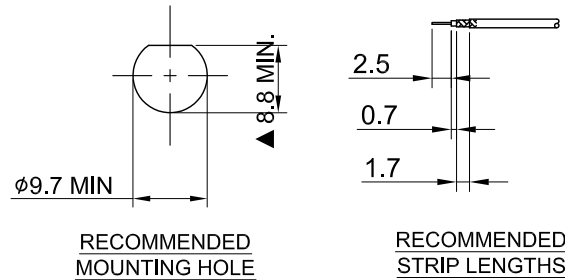


REV	DESCRIPTION	DATE
2.20	CHG $\phi 1.6$ W. $\phi 1.45$	2022/12/29
2.30	CHG 8.8 W. 9.0	2024/04/03



MECHANICAL DATA  
TEMPERATURE RANGE : -65°C ~ + 165°C

DIELECTRICAL DATA  
FREQUENCY RANGE: DC~4GHz  
IMPEDANCE : 50 $\Omega$   
VSWR : 1.5 MAX.  
WORKING VOLTAGE : AC 500V  
WITHSTANDING VOLTAGE : AC 1500V  
INSULATION RESISTANCE : 5000 M $\Omega$  MIN

11	NUT	BRASS	NICKEL	1
10	LOCK WASHER	STEEL	NICKEL	1
09	FERRULE	BRASS	GOLD	1
08	INSULATOR GASKET	TEFLON	NONE	1
07	BULLET CONTACT	BRASS	GOLD	1
06	BODY B	BRASS	NICKEL	1
05	CENTER CONTACT	Be.Cu	GOLD	1
04	INSULATOR B	TEFLON	NONE	1
03	CENTER PIN	P.BRONZE	GOLD	1
02	INSULATOR A	TEFLON	NONE	1
01	BODY A	BRASS	NICKEL	1
NO	DESCRIPTION	MATERIAL	FINISH	Q'TY

TITLE  
BNC(F)st bulkhead front mount crimp Jack for 1.32 cable

DWG NO.  
C16CK3F132014B

CUST.  
P/N: N/A  
DWG NO: N/A

SHEET 1 of 1 Unit: mm



Wellshow

GENERAL TOLERANCES		DRAWN BY: Kelly 2024/04/03	
.X	$\pm 0.2$	CHK'D BY: Dora	2024/04/03
.XX	$\pm 0.2$		
.XXX	$\pm 0.2$		
ANGLES	N/A		
		REV.	2.30
		DA2403200017	