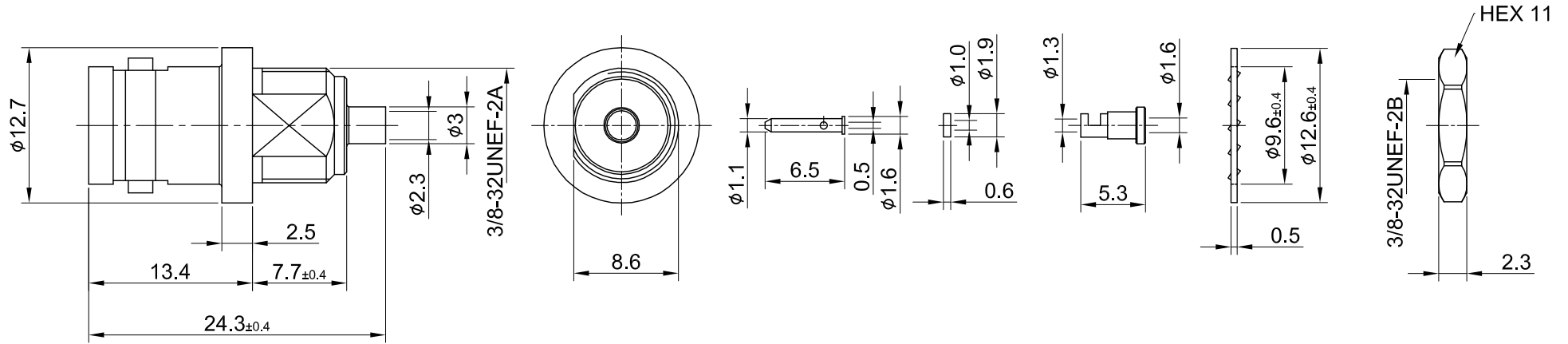
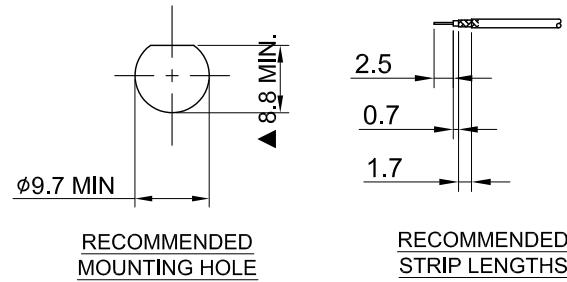


REV	DESCRIPTION	DATE
2.20	CHG $\phi 1.6$ W. $\phi 1.45$	2020/07/12
2.30	CHG 8.8 W. 9.0	2024/04/03



MECHANICAL DATA
TEMPERATURE RANGE : -65°C ~ + 165°C

DIELECTRICAL DATA
FREQUENCY RANGE: DC~4GHz
IMPEDANCE : 50Ω
VSWR : 1.5 MAX.
WORKING VOLTAGE : AC 500V
WITHSTANDING VOLTAGE : AC 1500V
INSULATION RESISTANCE : 5000 MΩ MIN

11	NUT	BRASS	NICKEL	1
10	LOCK WASHER	STEEL	NICKEL	1
09	FERRULE	BRASS	GOLD	1
08	INSULATOR GASKET	TEFLON	NONE	1
07	BULLET CONTACT	BRASS	GOLD	1
06	BODY B	BRASS	NICKEL	1
05	CENTER CONTACT	Be.Cu	GOLD	1
04	INSULATOR B	TEFLON	NONE	1
03	CENTER PIN	P.BRONZE	GOLD	1
02	INSULATOR A	TEFLON	NONE	1
01	BODY A	BRASS	NICKEL	1
NO	DESCRIPTION	MATERIAL	FINISH	Q'TY

TITLE		DWG NO.		CUST.		GENERAL TOLERANCES		DRAWN BY:		CHK'D BY:	
BNC(F)st bulkhead front mount crimp Jack for 1.37 cable		C16CK3F137014B		N/A		.X ±0.2 .XX ±0.2 .XXX ±0.2 ANGLES N/A		Kelly		2024/04/03	
SHEET 1 of 1		Unit: mm		N/A		DA2403200018		Dora		2024/04/03	
										REV. 2.30	

