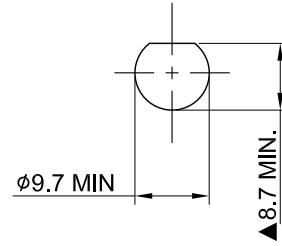
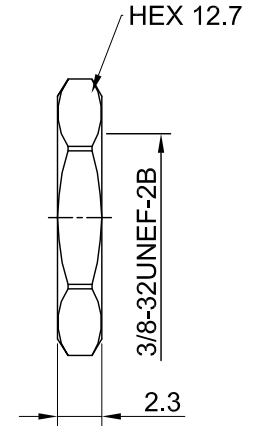
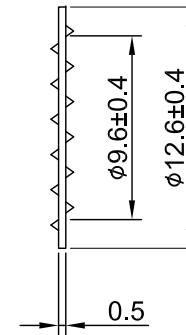
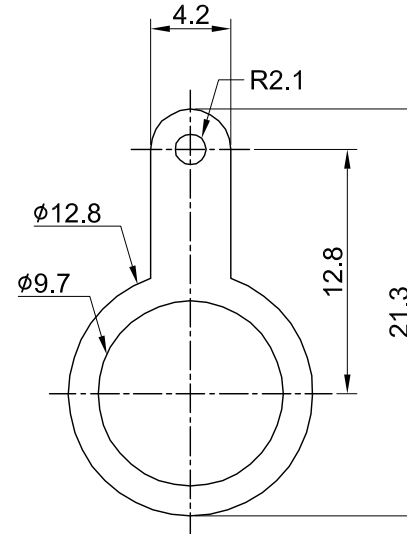
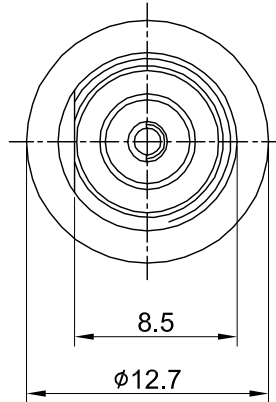
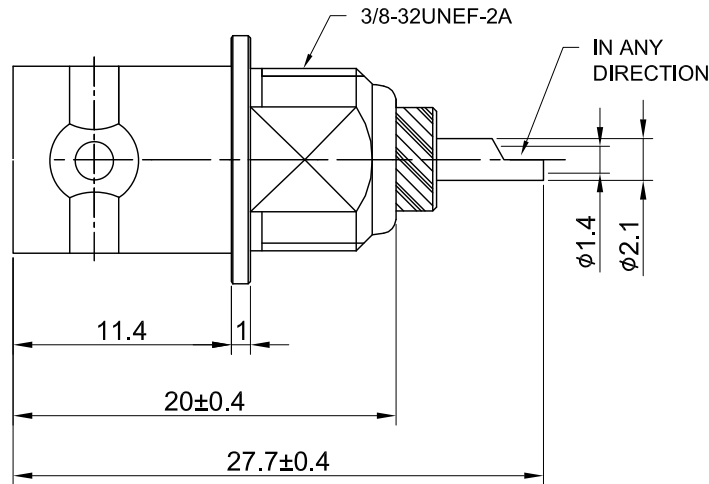


REV	DESCRIPTION	DATE
2.00	CHG WASHER TOLERANCE, BOM3) MATERIAL P.BRONZE W. BRASS, ADD FERERENCE MOUNTING HOLES, UPDATE INNER DESIGN	2019/04/29
2.10	CHG 8.7 W. 9	2024/04/01



RECOMMENDED MOUNTING HOLE



MECHANICAL DATA  
 DURABILITY : 100 CYCLES  
 TEMPERATURE RANGE : -65°C ~ + 165°C

ELECTRICAL DATA  
 FREQUENCY RANGE: DC~4GHz  
 IMPEDANCE : 50Ω  
 VSWR : 1.3 MAX.  
 WORKING VOLTAGE : AC 500V  
 WITHSTANDING VOLTAGE : AC 1500V  
 INSULATION RESISTANCE : 5000 MΩ MIN

06	NUT	BRASS	NICKEL	1
05	WASHER	BRASS	NICKEL	1
04	LOCK WASHER	STEEL	NICKEL	1
03	CENTER PIN	P.BRONZE	GOLD	1
02	INSULATOR	TEFLON	NONE	1
01	BODY	BRASS	NICKEL	1
NO	DESCRIPTION	MATERIAL	FINISH	Q'TY

TITLE  
 BNC(F)st. bh. front mount metal thread, solder cup, with ground tab

DWG NO.  
 C16CR3F14D

CUST.  
 P/N: N/A  
 DWG NO: N/A

SHEET 1 of 1 Unit: mm



GENERAL TOLERANCES		DRAWN BY: Kelly 2024/04/01	
.X	±0.2		CHK'D BY: Kana 2024/04/01 REV. 2.10
.XX	±0.2		
.XXX	±0.2		
ANGLES	N/A	DA2403120025	