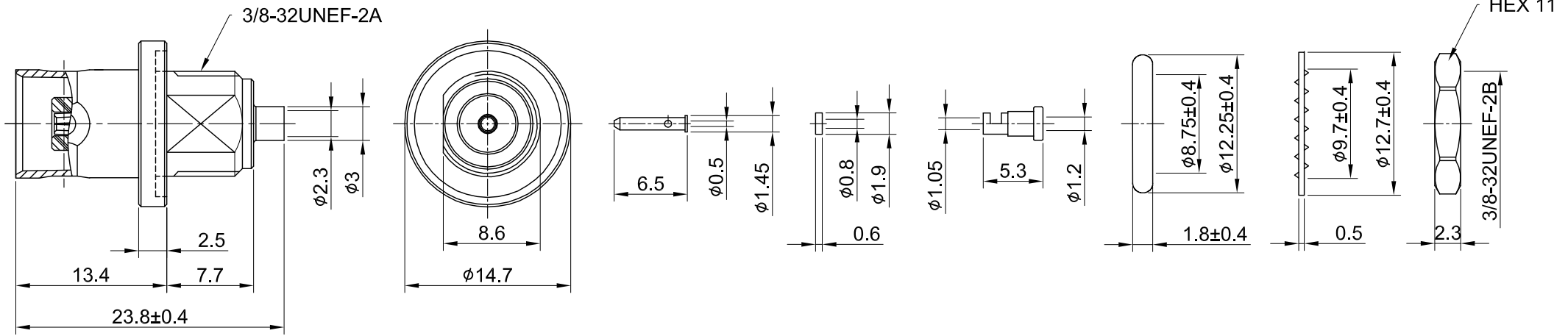
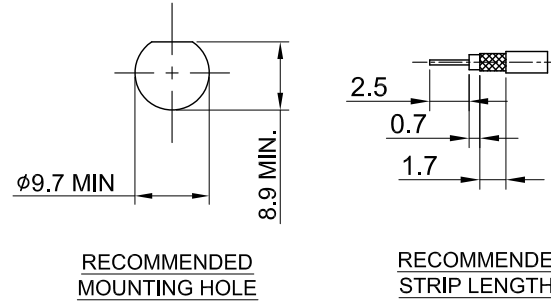


REV	DESCRIPTION	DATE
1.00	INITIAL DESIGN	2021/07/08
1.10	NEW DRAWING FRAME	2024/09/30



13	NUT	BRASS	NICKEL	1
12	WASHER B	BRASS	NICKEL	1
11	O RING	SILICONE RUBBER	BLACK	1
10	FERRULE	BRASS	GOLD	1
09	INSULATOR C	TEFLON	NONE	1
08	CENTER CONTACT	BRONZE	NICKEL	1
07	BULLET CONTACT	BRASS	GOLD	1
06	BODY B	BRASS	NICKEL	1
05	INSULATOR B	TEFLON	NONE	1
04	WASHER A	BRASS	NICKEL	1
03	CENTER PIN	P.BRONZE	GOLD	1
02	INSULATOR A	TEFLON	NONE	1
01	BODY A	BRASS	NICKEL	1
NO	DESCRIPTION	MATERIAL	FINISH	Q'TY

TITLE		BNC(F) bh. front mount w/Oring for 1.13/1.13LL cable									
DWG NO.		C16CU3F113014E									
CUST. P/N: N/A		DRAWN BY: Kelly 2024/09/30									
DWG NO: N/A		CHK'D BY: Chilli 2024/09/30									
SHEET 1 of 1		Unit: mm									
GENERAL TOLERANCES		<table border="1"> <tbody> <tr> <td>.X</td> <td>±0.2</td> </tr> <tr> <td>.XX</td> <td>±0.2</td> </tr> <tr> <td>.XXX</td> <td>±0.2</td> </tr> <tr> <td>ANGLES</td> <td>N/A</td> </tr> </tbody> </table>		.X	±0.2	.XX	±0.2	.XXX	±0.2	ANGLES	N/A
.X	±0.2										
.XX	±0.2										
.XXX	±0.2										
ANGLES	N/A										
DA2409300006		REV. 1.10									

MECHANICAL DATA
 DURABILITY : 100 CYCLES
 TEMPERATURE RANGE : -65°C ~ + 165°C

ELECTRICAL DATA
 FREQUENCY RANGE: DC~4GHz
 IMPEDANCE : 50Ω
 VSWR : 1.5 MAX.
 WORKING VOLTAGE : AC 500V
 WITHSTANDING VOLTAGE : AC 1500V
 INSULATION RESISTANCE : 5000 MΩ MIN

