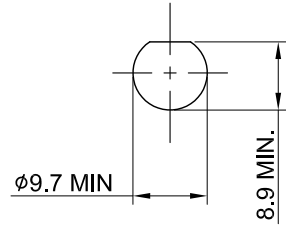
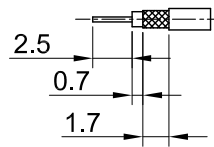


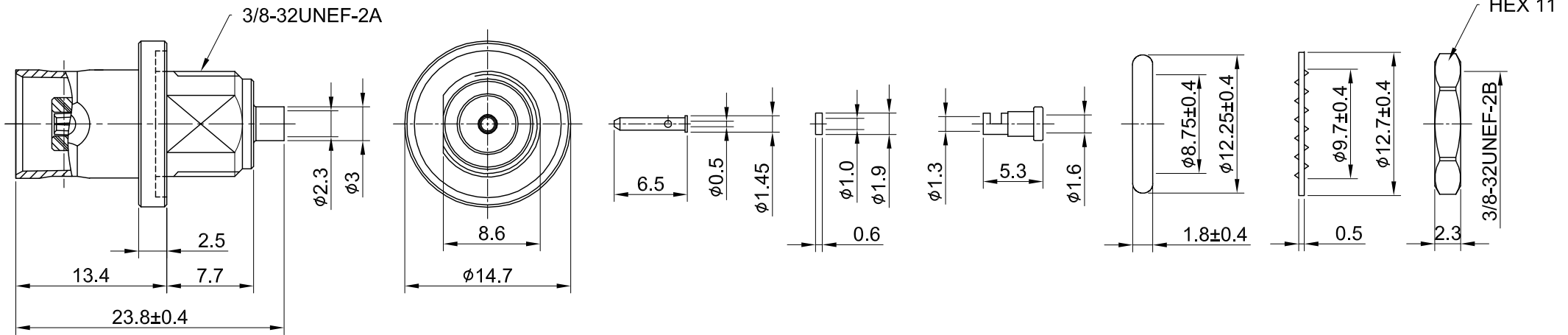
REV	DESCRIPTION	DATE
1.11	CORRECT FERRULE FINISH	2021/10/19
1.20	NEW DRAWING FRAME	2024/09/30



RECOMMENDED MOUNTING HOLE



RECOMMENDED STRIP LENGTHS



13	NUT	BRASS	NICKEL	1
12	WASHER B	BRASS	NICKEL	1
11	O RING	SILICONE RUBBER	BLACK	1
10	FERRULE	BRASS	GOLD	1
09	INSULATOR C	TEFLON	NONE	1
08	CENTER CONTACT	BRONZE	NICKEL	1
07	BULLET CONTACT	BRASS	GOLD	1
06	BODY B	BRASS	NICKEL	1
05	INSULATOR B	TEFLON	NONE	1
04	WASHER A	BRASS	NICKEL	1
03	CENTER PIN	P.BRONZE	GOLD	1
02	INSULATOR A	TEFLON	NONE	1
01	BODY A	BRASS	NICKEL	1
NO	DESCRIPTION	MATERIAL	FINISH	Q'TY

TITLE		BNC(F) bh. front mount w/Oring for 1.37 cable	
DWG NO.		C16CU3F137014E	
CUST. P/N: N/A		DRAWN BY: Kelly 2024/09/30	
DWG NO: N/A		CHK'D BY: Chilli 2024/09/30	
SHEET 1 of 1		Unit: mm	
Unit: mm			
GENERAL TOLERANCES .X ±0.2 .XX ±0.2 .XXX ±0.2 ANGLES N/A		DA2409300005 REV. 1.20	

MECHANICAL DATA  
 DURABILITY : 100 CYCLES  
 TEMPERATURE RANGE : -65°C ~ + 165°C

ELECTRICAL DATA  
 FREQUENCY RANGE: DC~4GHz  
 IMPEDANCE : 50Ω  
 VSWR : 1.5 MAX.  
 WORKING VOLTAGE : AC 500V  
 WITHSTANDING VOLTAGE : AC 1500V  
 INSULATION RESISTANCE : 5000 MΩ MIN