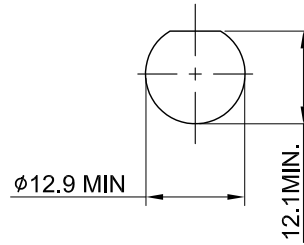
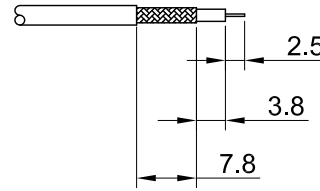


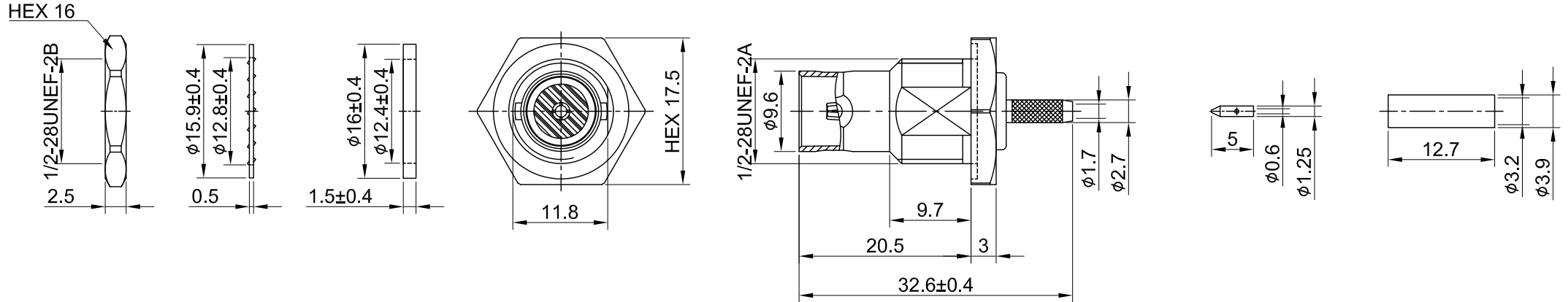
REV	DESCRIPTION	DATE
1.10	ADD RECOMMENDED MOUNTING HOLE	2020/11/25
2.00	UPDATE DRAWING	2024/09/24



RECOMMENDED MOUNTING HOLE



RECOMMENDED STRIP LENGTHS



MECHANICAL DATA  
 DURABILITY : 100 CYCLES  
 TEMPERATURE RANGE : -65°C ~ + 165°C

ELECTRICAL DATA  
 FREQUENCY RANGE: DC~3GHz  
 IMPEDANCE : 75Ω  
 VSWR : 1.5 MAX.  
 WORKING VOLTAGE : AC 500V  
 WITHSTANDING VOLTAGE : AC 1500V  
 INSULATION RESISTANCE : 5000 MΩ MIN

10	NUT	BRASS	NICKEL	1
09	WASHER	BRASS	NICKEL	1
08	GASKET	SILICONE RUBBER	RED	1
07	FERRULE	BRASS	NICKEL	1
06	BULLET CONTACT	BRASS	GOLD	1
05	BODY B	BRASS	NICKEL	1
04	CENTER CONTACT	Be.Cu	NICKEL	1
03	CENTER PIN	P.BRONZE	GOLD	1
02	INSULATOR	TEFLON	NONE	2
01	BODY A	BRASS	NICKEL	1
NO	DESCRIPTION	MATERIAL	FINISH	Q'TY

TITLE		DRAWN BY:		DATE
BNC(F) bh. w/Oring crimp for RG179 (75ohm)		Kelly	2024/09/24	
DWG NO. C16QD3F179012D		CHK'D BY:	Eileen	2024/09/24
CUST. P/N: N/A				REV. 2.00
DWG NO: N/A		GENERAL TOLERANCES .X ±0.2 .XX ±0.2 .XXX ±0.2 ANGLES N/A		SHEET 1 of 1 Unit: mm
DA2409240001				

