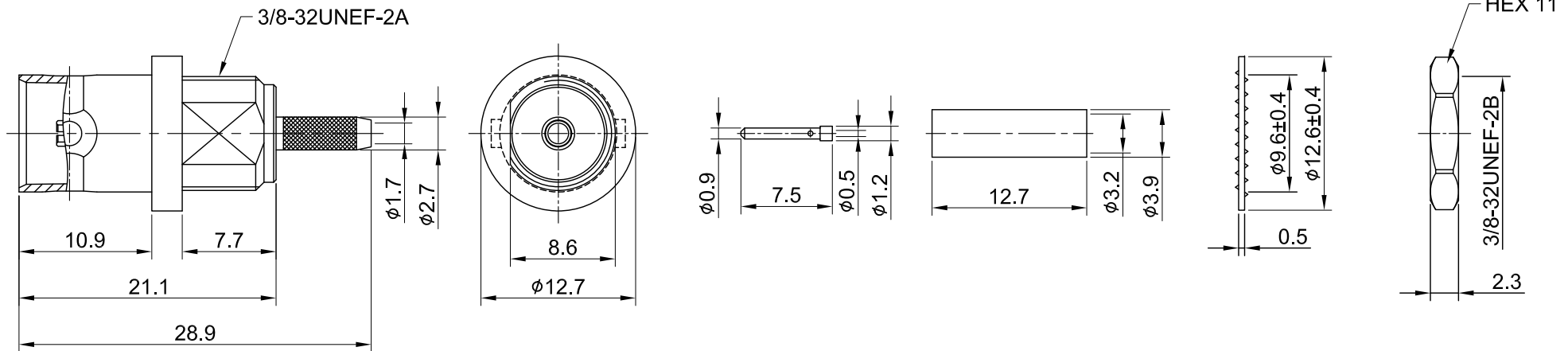
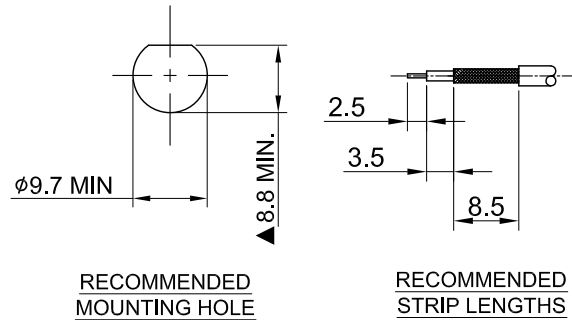


REV	DESCRIPTION	DATE
1.01	ADD RECOMMENDED MOUNTING HOLE, UPDATE GENERAL TOLERANCE	2011/04/29
1.10	CHG 8.8 W. 9.0	2024/04/01



MECHANICAL DATA
 DURABILITY : 100 CYCLES
 TEMPERATURE RANGE : -65°C ~ + 165°C

ELECTRICAL DATA
 FREQUENCY RANGE: DC~3GHZ
 IMPEDANCE : 75Ω
 VSWR : 1.5 MAX.
 WORKING VOLTAGE : AC 500V
 WITHSTANDING VOLTAGE : AC 1500V
 INSULATION RESISTANCE : 5000 MΩ MIN

10	NUT	BRASS	NICKEL	1
09	WASHER B	STEEL	NICKEL	1
08	FERRULE	BRASS	NICKEL	1
07	PIN B	BRASS	GOLD	1
06	BODY	BRASS	NICKEL	1
05	CENTER CONTACT	BRONZE	NICKEL	1
04	WASHER A	BRASS	NICKEL	1
03	INSULATOR B	TEFLON	NONE	1
02	INSULATOR A	TEFLON	NONE	1
01	PIN A	P.BRONZE	GOLD	1
NO	DESCRIPTION	MATERIAL	FINISH	Q'TY

TITLE
 BNC(F) st. bh. front mount crimp for RG179 (75ohm)

DWG NO.
 C16QK3F179014B

CUST.
 P/N: N/A
 DWG NO: N/A

SHEET 1 of 1 Unit: mm



GENERAL TOLERANCES		DRAWN BY: Kelly 2024/04/01	
.X	±0.2	CHK'D BY: Kana	2024/04/01
.XX	±0.2		
.XXX	±0.2		
ANGLES	N/A		
		REV.	1.10
		DA2403150016	