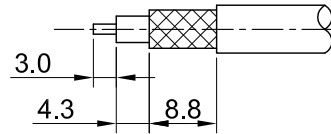
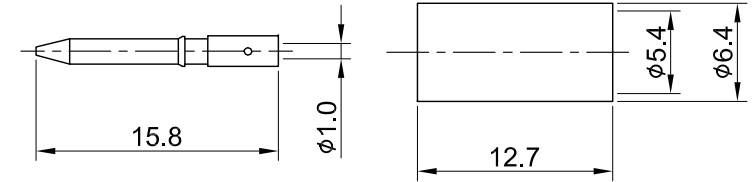
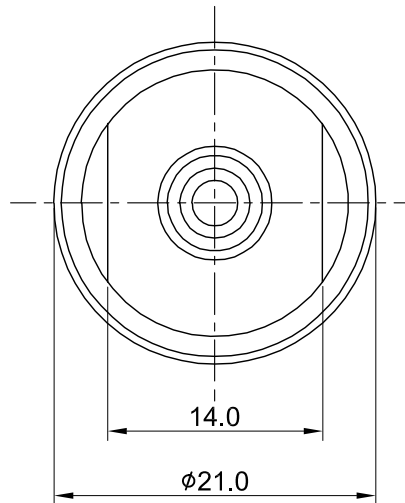
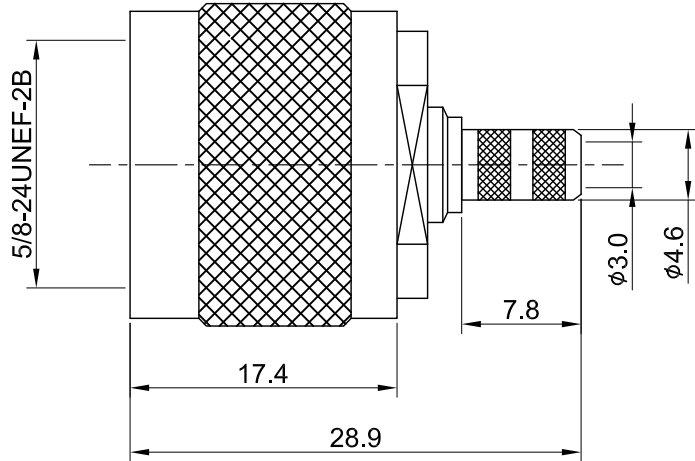


REV	DESCRIPTION	DATE
1.00	INITIAL DESIGN	2024/10/08



RECOMMENDED
STRIP LENGTHS



MECHANICAL DATA
TEMPERATURE RANGE : -65°C ~ + 165°C

ELECTRICAL DATA
FREQUENCY RANGE: DC~6GHz
IMPEDANCE : 50Ω
VSWR : 1.35 MAX.
WORKING VOLTAGE : AC 500V
WITHSTANDING VOLTAGE : AC 1000V
INSULATION RESISTANCE : 5000 MΩ MIN

06	FERRULE	BRASS	NICKEL	1
05	C-RING	STAINLESS STEEL	NONE	1
04	O-RING	SILICONE RUBBER	RED	1
03	CENTER PIN	BRASS	GOLD	1
02	INSULATOR	TEFLON	NONE	1
01	BODY	BRASS	NICKEL	1
NO	DESCRIPTION	MATERIAL	FINISH	Q'TY

TITLE		N(M) st. for LMR195, 6GHz	
DWG NO.		C27CA31L19501	
CUST.		N/A	
P/N:		N/A	
DWG NO:		N/A	
SHEET		1 of 1	
Unit:		mm	
GENERAL TOLERANCES		DRAWN BY: Kelly 2024/10/08	
.X ±0.2		CHK'D BY: Mindy 2024/10/08	
.XX ±0.2		REV.	
.XXX ±0.2		DA2410080011	
ANGLES N/A		1.00	

